

2014 Sundance Spas 880 Aspen

Specifications

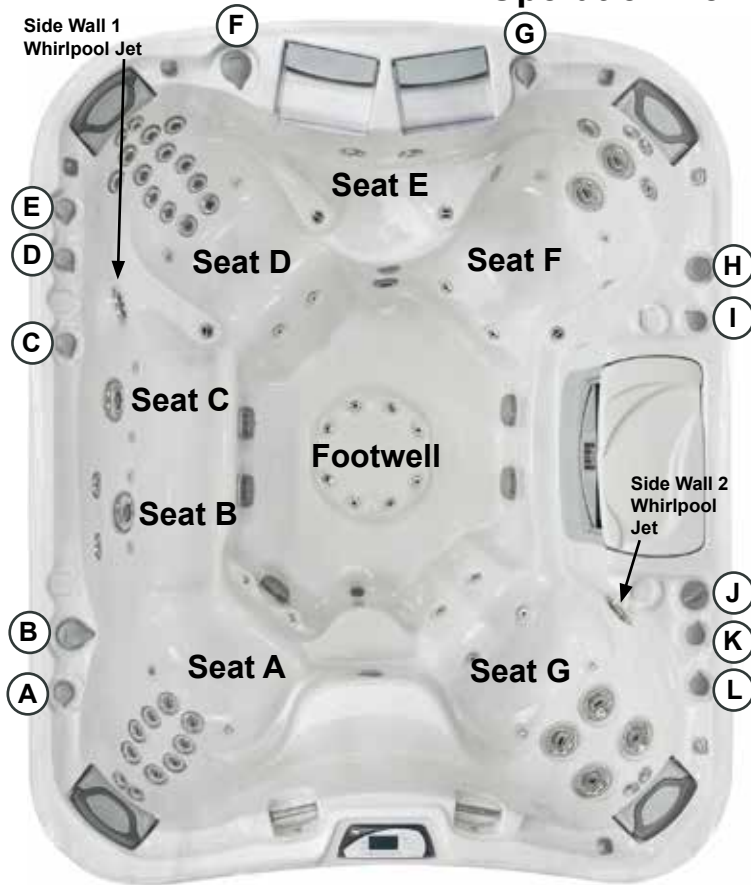
Dimensions:	90" x 110" x 41.5" (228.6 cm x 279.5 cm x 105.5 cm)
Seating Capacity:	7-8 Adults
Dry Weight:	1,249 lbs (567 kg)
Filled Weight (Spa Volume):	7,087 lbs (3,215 kg)
Filled Weight (Average Fill):	5,945 lbs (2,697 kg)
Water Capacity (Spa Volume):	700 US Gal (2,650 Liters)
Water Capacity (Average Fill):	563 US Gal (2,131 Liters)
Controls:	880 Series Solid State, LCD User Interface Displays Temperature, Time, Cycles and Fingertip Jet/Air System Control. Offers Customizing of Preprogrammed Filtration Cycles and Water Temperature Setting
Water Delivery:	3 TheraMax High-Flow Pumps and 8-Hour Dynamic Flow Circulation System
Pump 1:	North America (60 Hz): 1-Speed/2.5 HP Continuous, 11.3A Max., 56 Frame Export (50 Hz): 1-Speed/2.0 HP Continuous, 7A Max.
Pump 2:	North America (60 Hz): 1-Speed/2.5 HP Continuous, 11.3A Max., 56 Frame Export (50 Hz): 1-Speed/2.0 HP Continuous, 7A Max.
Pump 3:	North America (60 Hz): 1-Speed/2.5 HP Continuous, 11.3A Max., 56 Frame Export (50 Hz): 1-Speed/2.0 HP Continuous, 7A Max.
Pump 4:	High-Output Dynamic Flow, 8-Hour Filter/Circulation Pump (35 gpm) Programmable for Daily Start Time and Duration
Total Hydrojets:	66
Seat A Jets:	2 Fluidix Nex, 8 Fluidix Reflex
Seat B Jets:	2 Fluidix Reflex, 1 Fluidix Intelli-Jet
Seat C Jets:	1 Fluidix Intelli-Jet
Seat D Jets:	2 Fluidix Nex, 12 Fluidix ST, 2 Pulsator, 2 Accu-Pressure, 1 Whirlpool (sidewall)
Seat E Jets:	2 Fluidix Reflex
Seat F Jets:	2 Fluidix Nex, 2 Fluidix Reflex, 2 Fluidix Intelli-Jet, 2 Pulsator, 4 Accu-Pressure
Seat G Jets:	2 Fluidix Nex, 4 Vortex, 2 Fluidix Intelli-Jet, 4 Accu-Pressure, 1 Whirlpool (sidewall)
Footwell Jets (H):	8 Accu-Pressure
Air Blower:	High-efficiency, 1-Speed
Aromatherapy Delivery:	14 Silent Air® Injector Jets with Quiet High Speed Air Pump
Air Controls/Massage Selectors:	8/2 (Standard Air controls with LED light rings)
Filter:	MICROCLEAN® Ultra Filtration System, 130 ft ² (2 interlocking cartridge filters)
Water Treatment:	Automatic Brominator and Dynamic Flow Circulation System; Factory installed CLEARRAY® Water Purification System
Lighting:	AquaTerrace Multicolored Sunglow LED Lighting System (2 Waterfall, 2 Footwell, 8 Air controls, 2 Backlit handrails)
Synthetic Cabinet:	Available in Coastal, Mahogany, Autumn Walnut
Shell Colors:	Platinum, Sahara, Copper Sand, Celestite (Gypsum), Monaco
Handrails:	Two High Quality Stainless Steel with backlit LED lighting
ComfortTone Headrests:	Four 2-Part/2-Tone Gray
Heater:	Low Flow 5.5 kW With Titanium Element Export (50 Hz): Low Flow 5.5 kW with Titanium Element
Electrical Requirements:	North America (60 Hz): 240 VAC@50A or 60A; Export (50 Hz): 230-240 VAC@40A, 50A or 60A; or Suitable Rated Circuit Breaker To Comply With Local Electrical Regulations. Certain Countries May Require 2 Power Inputs; Two GFCI/RCD Breakers are Required For This Configuration.
Limited Warranty*:	North America (60 Hz): 10 Years Shell, 7 Years Shell Surface, 5 Years Plumbing Component Leaks, 5 Years Equipment and Controls, 5 Years Cabinet, 5 Years Jets, 2 Years Lights, 1 Year Stereo Export (50 Hz): 10 Years Shell, 7 Years Shell Surface, 2 Years Plumbing Component Leaks, 2 Years Equipment and Controls, 2 Years Cabinet, 2 Years Jets, 2 Years Lights, 1 Year Stereo
Waterfall Feature:	Adjustable Flow Rate; Colored Back-Lighting
Special Features:	Optional Factory Installed BLUEWAVE™ Spa Stereo System with Wireless Remote Control, Auxiliary 3.5 mm headphone jack connection, USB connection, FM radio, Bluetooth compatible and integrated docking station
Inground Model:	Not Available



Dimensions/Specifications Subject To Change Without Notice

2014 Sundance Spas 880 Aspen

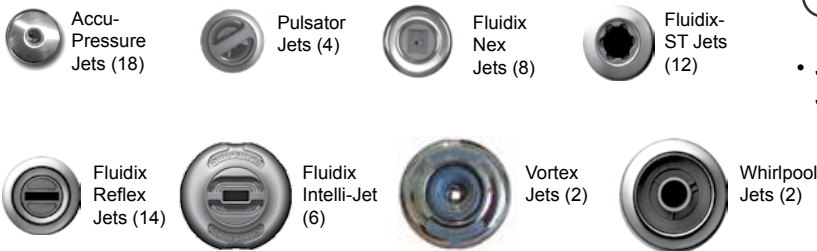
Operation/New Features



- (A)** Air Control - Activates Seat A Jets (2 Fluidix Nex, 8 Fluidix Reflex), Seat B Jets (2 Fluidix Reflex, 1 Fluidix Intelli-Jet) and Seat C Jet (1 Fluidix Intelli-Jet)
- (B)** Massage Selector [Pump 1] - Adjusts Massage Level Between Seat A Jets + Seat B Jets + Seat C Jets and both Side Wall Whirlpool Jets
- (C)** Air Control - Activates Side Wall 1 Whirlpool Jet
- (D)** Air Control - Activates Lower Seat D Jets (6 Fluidix-ST, 2 Pulsators, 2 Accu-Pressure)
- (E)** Air Control - Activates Upper Seat D Jets (2 Fluidix Nex, 6 Fluidix-ST)
- (F)** Massage Selector [Pump 2] - Adjusts Massage Level Between Seat D Jets and Seat G Jets
- (G)** Air Control - Activates Seat E (2 Fluidix Reflex) + Seat F Jets (2 Fluidix Nex, 2 Fluidix Reflex, 2 Fluidix Intelli-Jets, 2 Pulsators, 4 Accu-Pressure)
- (H)** Waterfall Selector [8-Hour Circ. Pump] - Controls Waterfall Output
- (I)** Air Control - Activates Center Footwell Jets (8 Accu-Pressure)
- (J)** SunScents Dispenser
- (K)** Air Control - Activates Side Wall 2 Whirlpool Jet
- (L)** Air Control - Activates Seat G Jets (2 Fluidix Nex, 2 Vortex, 2 Fluidix Intelli-Jet, 4 Accu-Pressure)

• Jets Pump 3: Seat E Jets, Seat F Jets and Footwell Jets are always on when this pump is running

66 Total Jets



Spa Operation Subject To Change Without Notice

NEW FOR 2014!



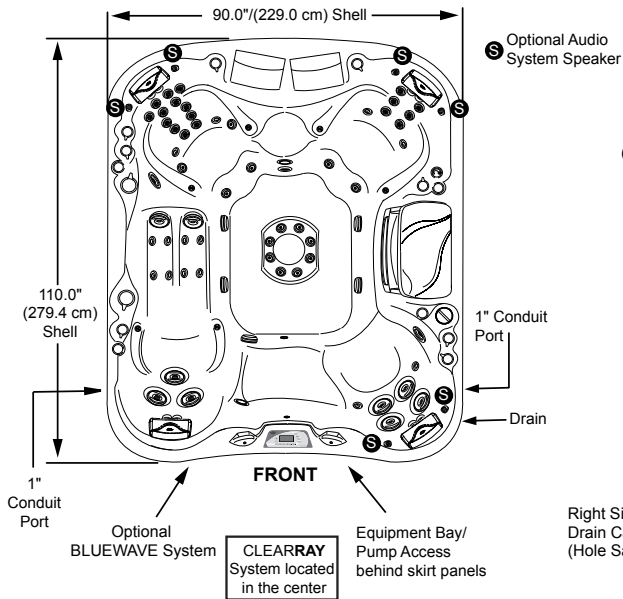
New Color - Monaco

Dimensions/Specifications Subject To Change Without Notice

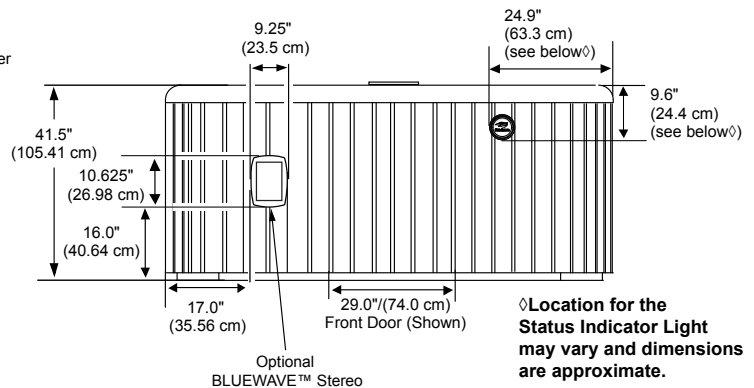
2014 Sundance Spas 880 Aspen

Portable Dimensions

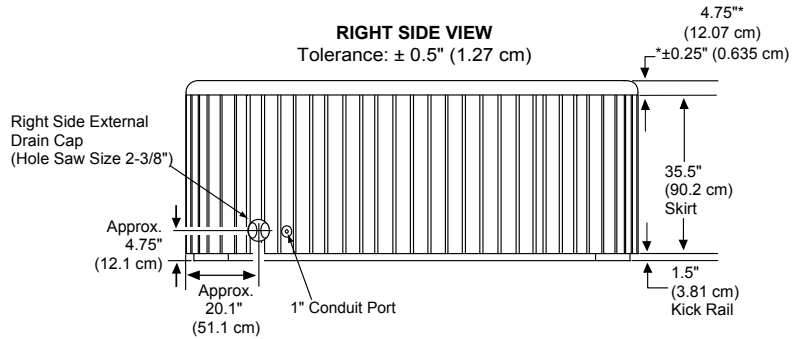
TOP VIEW



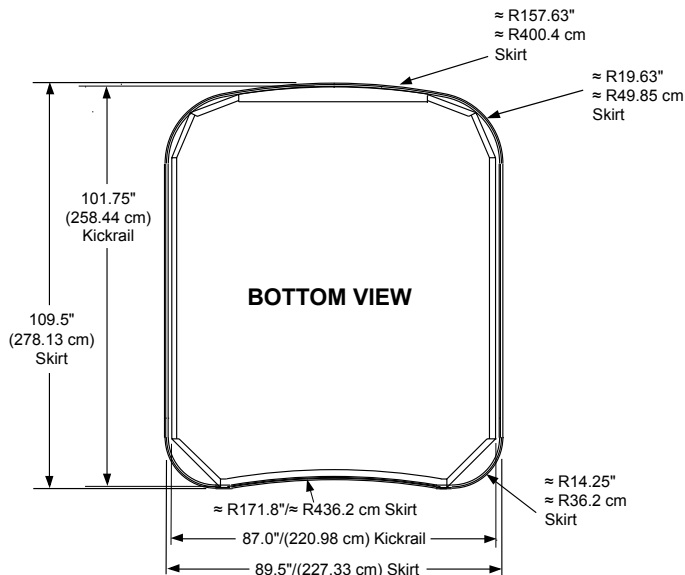
FRONT/BACK VIEW
(Front view with stereo option shown)
Tolerance: $\pm 0.5"$ (1.27 cm)



RIGHT SIDE VIEW
Tolerance: $\pm 0.5"$ (1.27 cm)



IMPORTANT! Always measure each hot tub for exact dimensions BEFORE designing its foundational support and/or decking.



Dimensions/Specifications Subject To Change Without Notice