

2014 Sundance Spas 880 Cameo

Specifications

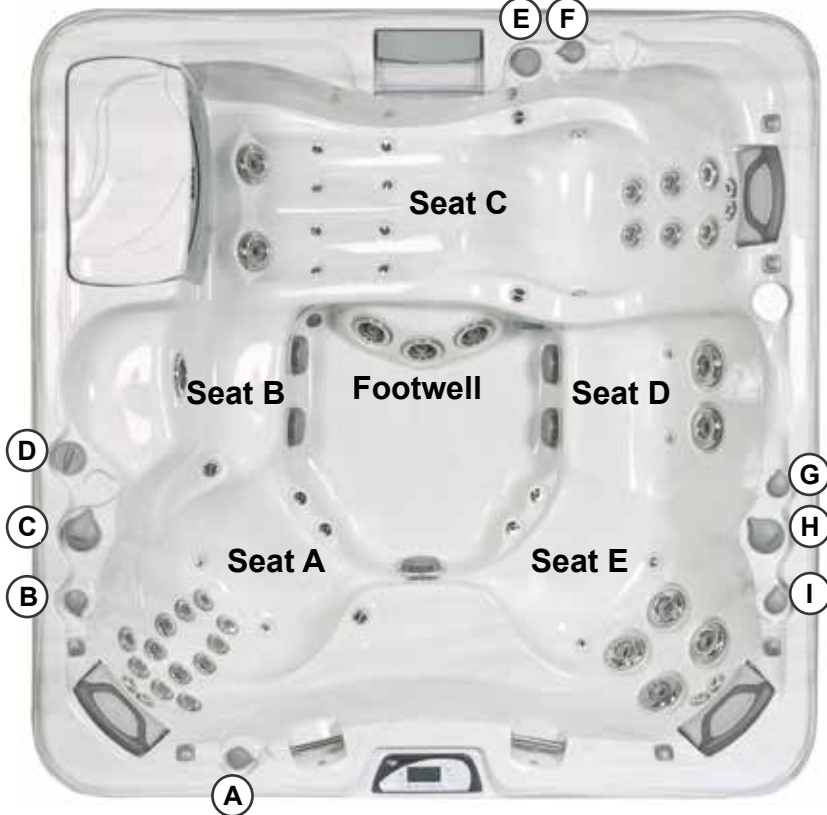
Dimensions:	89" x 89" x 37.5" (226 cm x 226 cm x 95.5 cm)	
Seating Capacity:	5-6 Adults	
Dry Weight:	962 lbs (436 kg)	
Filled Weight (Spa Volume):	4,882 lbs (2,214 kg)	
Filled Weight (Average Fill):	4,048 lbs (1,836 kg)	
Water Capacity (Spa Volume):	470 US Gal (1,779 Liters)	
Water Capacity (Average Fill):	370 US Gal (1,401 Liters)	
Controls:	880 Series Solid State, LCD User Interface Displays Temperature, Time, Cycles and Fingertip Jet/Air System Control. Offers Customizing of Preprogrammed Filtration Cycles and Water Temperature Setting	
Water Delivery:	2 TheraMax High Flow Pumps and 8-Hour Dynamic Flow Circulation System	
Pump 1:	North America (60 Hz): 1-Speed/2.5 HP Continuous, 11.3A Max., 56 Frame Export (50 Hz): 1-Speed/2.0 HP Continuous, 7.0A Max.	
Pump 2:	North America (60 Hz): 1-Speed/2.5 HP Continuous, 11.3A Max., 56 Frame Export (50 Hz): 1-Speed/2.0 HP Continuous, 7.0A Max.	
Pump 3:	High Output Dynamic Flow, 8-Hour Filter/Circulation Pump (35 gpm) Programmable for Daily Start Time and Duration	
Total Hydrojets:	54	
Seat A Jets:	2 Fluidix Nex, 12 Fluidix-ST, 2 Accu-Pressure, 2 Pulsator	
Seat B Jets:	1 Whirlpool	
Seat C Jets:	2 Fluidix Nex, 6 Fluidix Reflex, 2 Pulsator, 2 Accu-Pressure, 2 Vortex, 8 Focus-Relief	
Seat D Jets:	2 Vortex	
Seat E Jets:	2 Vortex, 2 Fluidix Intelli-Jet, 2 Accu-Pressure, 2 Fluidix Nex	
Footwell Jets (F):	3 Whirlpool	
Air Blower:	High-Efficiency, 1-Speed	
Aromatherapy Delivery:	6 Air Injector Jets with Quiet High Speed Air Pump	
Air Controls/Massage Selectors:	5/2 (Standard air control LED light rings)	
Filter:	MICROCLEAN® Ultra Filtration System, 130 ft ² (2 interlocking cartridge filters)	
Water Treatment:	Automatic Brominator and Dynamic Flow Circulation System; Factory installed CLEARARRAY® Water Purification System	
Lighting:	AquaTerrace Multi-Colored Sunglow LED Lighting System (1 Waterfall, 1 Footwell, 5 Air control, 2 Backlit handrails)	
Synthetic Cabinet:	Available in Coastal, Mahogany, Autumn Walnut	
Shell Colors (Portable Models):	North America: Platinum, Sand, Sahara, Celestite, Oyster, Copper Sand, Sea Mist, Monaco, Midnight, Caribbean Surf Export (50 Hz): All North America Colors	
Shell Colors (Inground Models):	Sahara, Platinum	
Handrails:	Two High Quality Stainless Steel with backlit LED lighting	
ComforTone Headrests:	Three 2-Part/2-Tone Gray	
Heater (Portable Models Only):	North America (60 Hz): Low Flow 5.5 kW with Titanium Element Export (50 Hz): Low Flow 2.7 kW with Titanium Element	
Electrical Requirements:	North America (60 Hz): 240 VAC@40A, 50A or 60A; Export (50 Hz): 230-240 VAC@20A, 30A or 40A; or Suitably Rated Circuit Breaker to Comply with Local Electrical Regulations. Certain Countries may Require 2 Power Inputs; Two GFCI/RCD Breakers are Required for This Configuration.	
Limited Warranty*:	North America (60 Hz): 10 Years Shell, 7 Years Shell Surface, 5 Years Plumbing Component Leaks, 5 Years Equipment and Controls, 5 Years Synthetic Cabinet, 5 Years Jets, 2 Years Lights, 1 Year Stereo Export (50 Hz): 10 Years Shell, 7 Years Shell Surface, 2 Years Plumbing Component Leaks, 2 Years Equipment and Controls, 2 Years Synthetic Cabinet, 2 Years Jets, 2 Years Lights, 1 Year Stereo	
Waterfall Feature:	Adjustable Flow Rate (Portable Models Only); Colored back-lighting	
Special Features:	(Portable Models Only): Optional Factory Installed BLUEWAVE™ Spa Stereo System with Wireless Remote Control, Auxiliary 3.5 mm headphone jack connection, USB connection, FM radio, Bluetooth compatible and integrated docking station	
Inground Model:	Optional Equipment Pack Required. See Page 14 and 28 for Details.	

*(See Warranty Document for Specific Details)

Dimensions/Specifications Subject To Change Without Notice

2014 Sundance Spas 880 Cameo

Operation/New Features



- (A) Air Control - Activates Upper Eight Seat A Jets (2 Fluidix Nex, 6 Fluidix-ST)
- (B) Air Control - Activates Lower Seat A Jets (6 Fluidix-ST, 2 Accu-Pressure, 2 Pulsator) + Seat D Jets (2 Vortex)
- (C) Massage Selector [Pump 1] - Adjusts Massage Level Between Footwell Jets and Seat A Jets + Seat D Jets
- (D) Sunscents Dispenser
- (E) Waterfall Selector [8-Hour Circ. Pump] - Controls Waterfall Output
- (F) Air Control - Activates Seat C Jets (2 Fluidix Nex, 6 Fluidix Reflex, 2 Accu-Pressure, 2 Pulsator, 2 Vortex) + Lower Four Seat E Jets (2 Fluidix Intelli-Jet, 2 Accu-Pressure) + Upper Two Seat E Jets (2 Fluidix Nex)
- (G) Air Control - Activates the Footwell Jets (3 Whirlpool)
- (H) Massage Selector [Pump 2] - Adjusts Massage Level Between Seat E Jets + Seat B and Seat C Jets
- (I) Air Control - Activates Upper 2 Seat E Jets (2 Vortex) + Seat B Jet (1 Whirlpool)

54 Total Jets



Accu-Pressure
Jets (6)



Focus-Relief
Jets (8)



Fluidix
Nex
Jets (6)



Fluidix-
ST Jets
(12)



Pulsator
Jets (4)



Fluidix
Reflex
Jets (6)



Fluidix
Intelli-Jet
(2)



Vortex
Jets (6)



Whirlpool
Jets (4)

- Focus-Relief Jets: Work with both the blower and Jets Pump 2. The blower introduces air to the jet and the Jets Pump forces water through.

Spa Operation Subject To Change Without Notice

NEW FOR 2014!



New Color - Caribbean
Surf

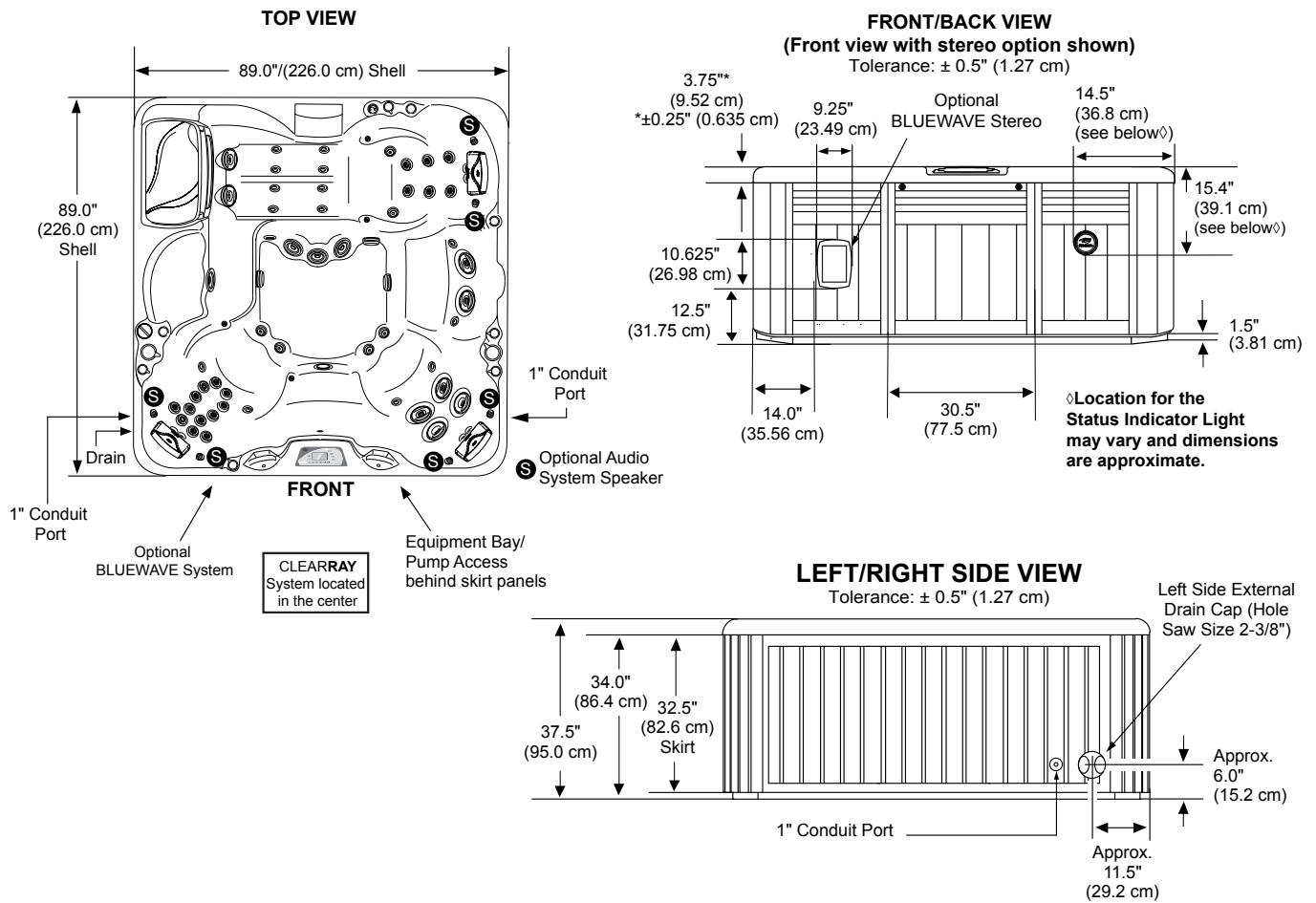


New Color - Midnight

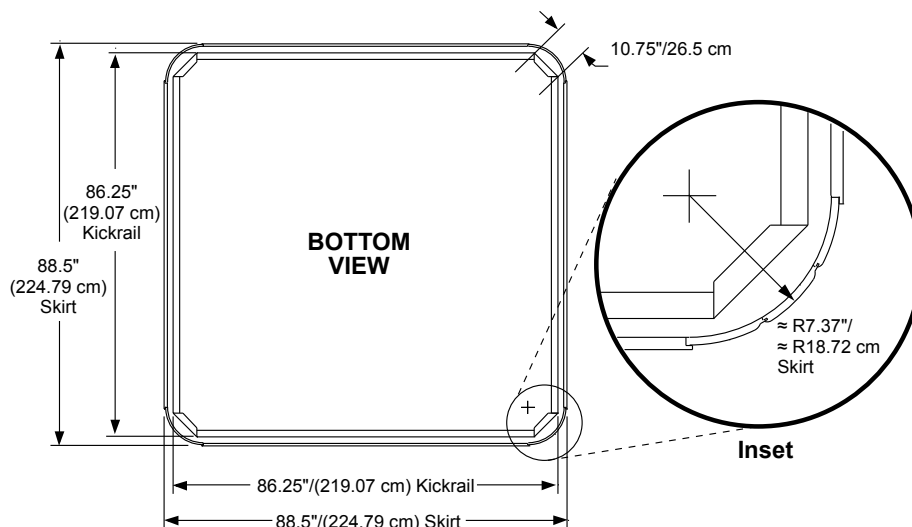
Dimensions/Specifications Subject To Change Without Notice

2014 Sundance Spas 880 Cameo

Portable Dimensions



IMPORTANT! Always measure each hot tub for exact dimensions BEFORE designing its foundational support and/or decking.



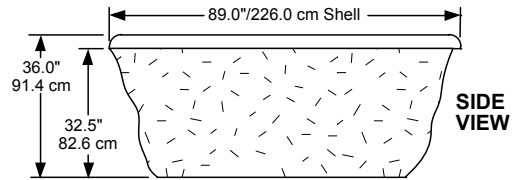
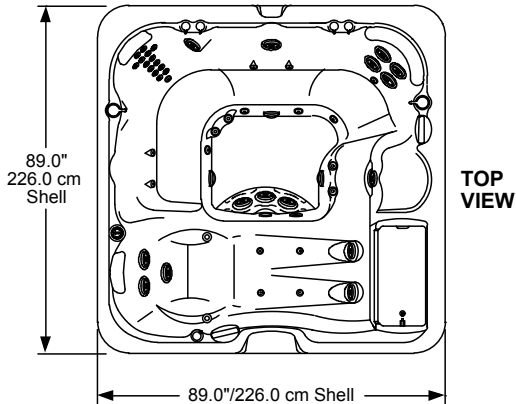
Dimensions/specifications subject to change without notice. Tolerance: $\pm 0.5"$ (1.27 cm)

Dimensions/Specifications Subject To Change Without Notice

2014 Sundance Spas 880 Cameo

Inground Dimensions

Note: 2003 Shell Used for Cameo Inground Models.



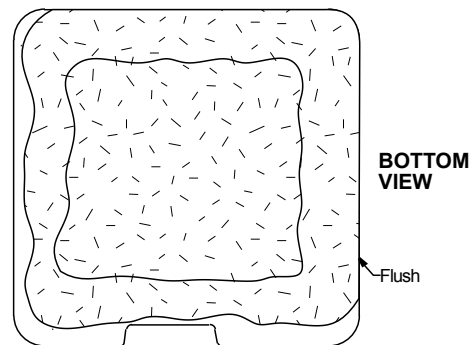
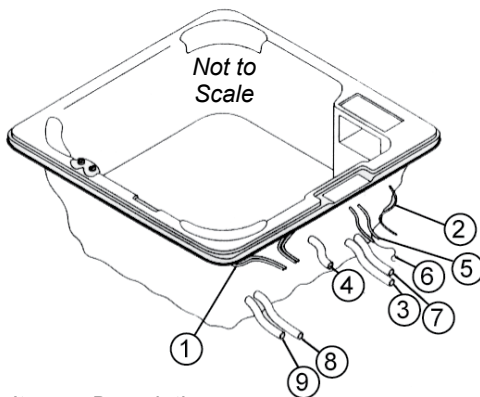
CAUTION:

1. Always refer to the Inground Shell Installation Instruction Manual before Installing the Shell.
2. Always measure each hot tub for exact dimensions BEFORE designing its foundational support and/or decking.
3. The foam installation under the shell may extend beyond the shell lip.

Note: Inground Equipment Pack Purchased Separately. See Page 28 for Details.

The following equipment is not available on inground models:

- The Optional Intelli-Sound Stereo System
- The AquaTerrace Waterfall
- The AquaTerrace LED Lighting System
- Circulation Pump
- Jet Types May Vary From Current Portable Models



- | Item: | Description: |
|-------|---|
| 1. | Air Control Intake, 0.5" Pipe |
| 2. | Ozone Hookup, 0.375" Pipe, 50' |
| 3. | Pump #1 Suction, 2" Pipe (Red) |
| 4. | Blower, 2" Pipe (Green) |
| 5. | Light Cord, 50' |
| 6. | Cord, 0.5" Pipe Temperature Sensor, 50' |
| 7. | Pump #1 Return, 2" Pipe (Blue) |
| 8. | Pump #2 Suction, 2" Pipe (Orange) |
| 9. | Pump #2 Return, 2" Pipe (Yellow) |



IMPORTANT! Always measure each hot tub for exact dimensions BEFORE designing its foundational support and/or decking.

