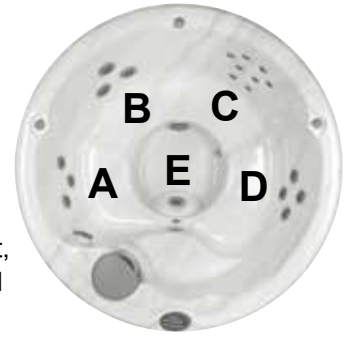


2014 Sundance Spas 680 Denali

Specifications

Dimensions:	78.5" Round x 36" (200 cm Round x 91.5 cm)
Seating Capacity:	4 Adults
Dry Weight:	560 lbs (254 kg)
Filled Weight (Spa Volume):	3,062 lbs (1,389 kg)
Filled Weight (Average Fill):	2,562 lbs (1,162 kg)
Water Capacity (Spa Volume):	300 US Gal (1,136 Liters)
Water Capacity (Average Fill):	240 US Gal (908 Liters)
Controls:	Solid-State Electronic Controls with LED Readout, Programmable Water Temperature, Filtration, and Heat Cycles
Water Delivery:	1 High Flow Pump
Pump 1:	North America (60 Hz): 1.5 HP/2-Speed Continuous, 11.0A max., 48 Frame Export (50 Hz): 2.0 HP/2-Speed Continuous, 8.0A max.
Total Hydrojets:	20
Seat A Jets:	3 DXL
Seat B Jets:	3 DVX
Seat C Jets:	8 DX
Seat D Jets:	4 DXL
Footwell Jet (E):	1 DVX
Divert-A-Jet:	1
Air Controls/Massage Selectors:	3 Air Controls; No Massage Selectors
Filter:	50 ft ² Filter Cartridge System
Water Treatment:	Factory installed CLEARRAY® Water Purification System
Lighting:	SunGlow Multi-Color LED Light
Synthetic Cabinet:	Available in Coastal, Mahogany, Autumn Walnut
Shell Colors:	North America: Platinum, Sand, Sahara, Copper Sand, Sea Mist, Celestite, Oyster, Monaco Export (50 Hz): All North American colors
Heater:	North America (60 Hz): High-Flow, 1 kW@120 VAC or Convertible to 4 kW@240 VAC; Export (50 Hz): High-Flow, 2.7 kW
Electrical Requirements:	North America Convertible Model (60 Hz): 120 VAC@15A with Supplied GFCI Cord or 240 VAC@30A or 40A (Hard Wired Only); Export (50 Hz): 230-240 VAC@20A or 30A or Suitably Rated Circuit Breaker to Comply with Local Electrical Regulations. Certain Countries May Require 2 Power Inputs; Two GFCI/RCD Breakers are Required for This Configuration.
Limited Warranty*:	North America (60 Hz): 5 Years Shell, 2 Years Shell Surface, 2 Years Plumbing Component Leaks, 2 Years Equipment and Controls, 1 Year Cabinet, 1 Year Jets Export (50 Hz): 5 Years Shell, 2 Years Shell Surface, 1 Year Plumbing Component Leaks, 1 Year Equipment and Controls, 1 Year Cabinet, 1 Year Jets
Special Features:	Audio System Not Offered on This Model
Inground Model:	Not Available

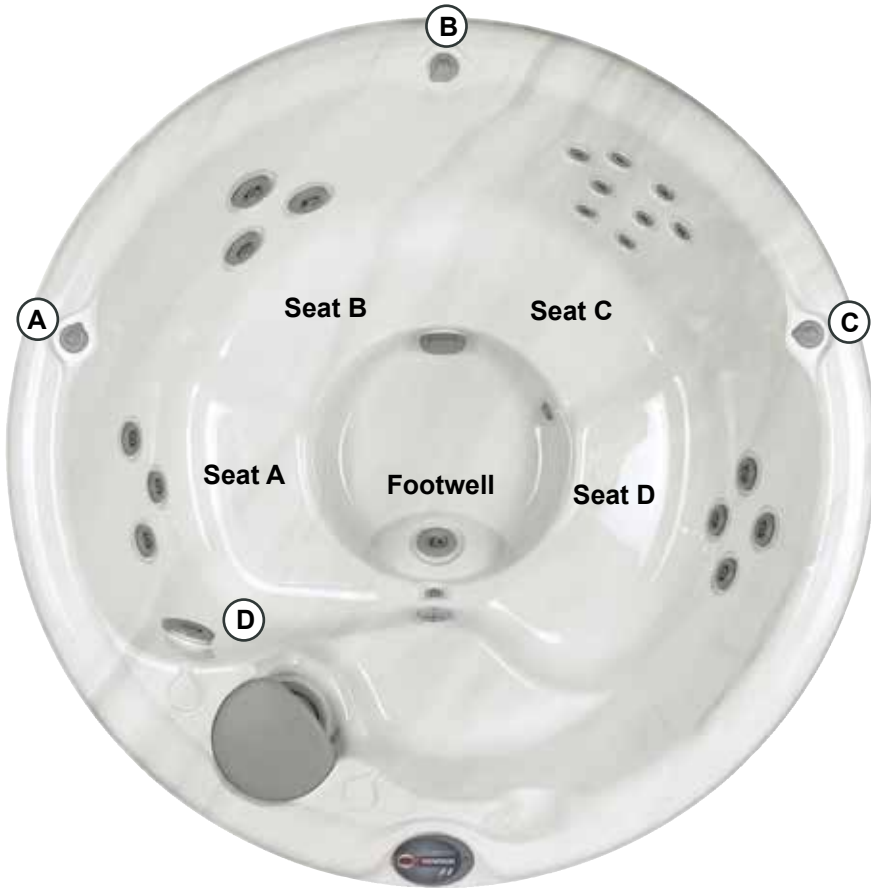


*(See Warranty Document for Specific Details)

Dimensions/Specifications Subject To Change Without Notice

2014 Sundance Spas 680 Denali

Operation/New Features



(A) Air Control - Activates the Divert-A-Jet (D)

(B) Air Control - Activates Seat A Jets (3 DXL), Seat B Jets (3 DVX), Seat D Jets (4 DXL)

(C) Air Control - Activates Seat C Jets (8 DX) and Footwell Jet (1 DVX)

(D) Divert-A-Jet - Adjusts Massage Levels Between itself and Seat A Jets + Seat B Jets + Seat D Jets

Seat C Jets + All Footwell Jets are on all the time when the jets pump is running.

20 Total Jets



DX Jets (8)



DXL Jets (7)



DVX Jet (4)



Divert-A-Jet (1)

Spa Operation Subject To Change Without Notice

NEW FOR 2014!

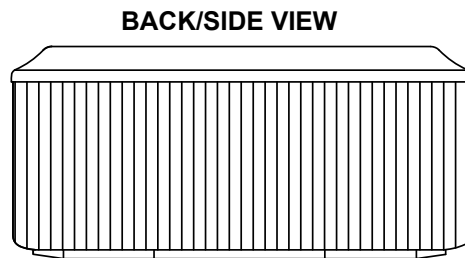
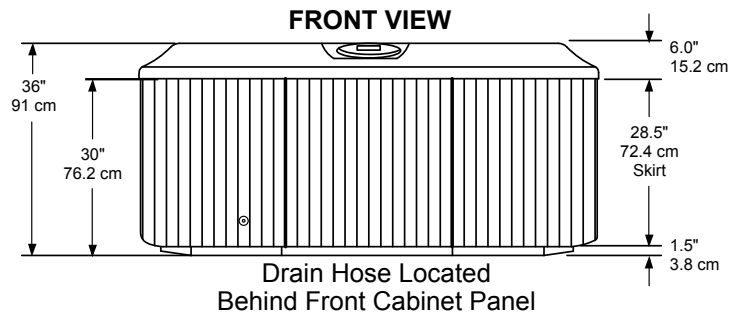
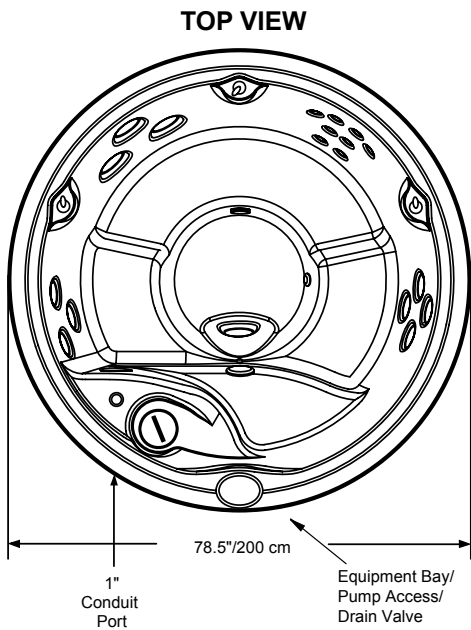


New Color - Monaco

Dimensions/Specifications Subject To Change Without Notice

2014 Sundance Spas 680 Denali

Portable Dimensions



IMPORTANT! Always measure each hot tub for exact dimensions **BEFORE** designing its foundational support and/or decking.

