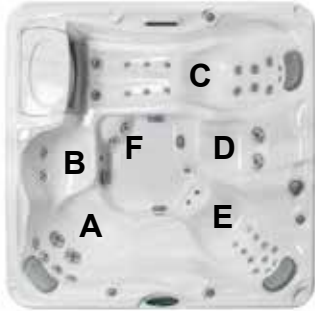


2014 Sundance Spas 780 Hamilton Specifications

Dimensions:	89" x 89" x 36" (226 cm x 226 cm x 91.44 cm)	
Seating Capacity:	5-6 Adults	
Dry Weight:	826 lbs (375 kg)	
Filled Weight (Spa Volume):	4,996 lbs (2,266 kg)	
Filled Weight (Average Fill):	4,104 lbs (1,861 kg)	
Water Capacity (Spa Volume):	500 US Gal. (1,893 Liters)	
Water Capacity (Average Fill):	393 US Gal. (1,488 Liters)	
Controls:	780 Series Solid-State Electronic Controls with LED Readout Programmable Water Temperature, Filtration, and Heat Cycles	
Water Delivery:	2 High Flow Pumps	
Pump 1:	North America (60 Hz): 2-Speed/2.5 HP Continuous, 12.0A Max. Export (50 Hz): 2-Speed/2.0 HP Continuous, 8.0A Max.	
Pump 2:	North America (60 Hz): 1-Speed/2.5 HP Continuous, 11.0A Max. Export (50 Hz): 1-Speed/2.0 HP Continuous, 7.0A Max	
Pump 3:	8-Hour Filter/Circulation Pump; High Output Flow	
Total Hydrojets:	41	
Seat A Jets:	4 Vortex Mini, 2 Vortex III	
Seat B Jets:	2 SMT Fluidix	
Seat C Jets:	8 SMT Micro, 2 Vortex Mini, 6 SMT Fluidix	
Seat D Jets:	2 Vortex III	
Seat E Jets:	9 Accu-Pressure, 4 SMT Micro	
Footwell Jet (F):	2 Vortex Mini	
Air Controls/Massage Selectors:	3/1	
Filter:	MICROCLEAN® I Filtration System with Floating Weir, 125 ft² combined filtration (1 pleated and 1 spun-bound cartridge)	
Water Treatment:	8-Hour Circulation Pump; Factory installed CLEARRAY® Water Purification System	
Lighting:	Standard Multi-Colored SunRay LED Light; 6 LED Pin Lights	
Synthetic Cabinet:	Available in Coastal, Mahogany, Autumn Walnut	
Shell Colors:	North America: Platinum, Sand, Sahara, Celestite, Oyster, Copper Sand, Sea Mist, Monaco, Midnight, Caribbean Surf Export (50 Hz): All North America Colors	
Handrails:	N/A	
Headrests:	Three, 1-Piece Gray	
Heater:	North America (60 Hz): 5.5 kW, Low Flow Export (50 Hz): High Flow, 2.7 kW	
Electrical Requirements:	North America (60 Hz): 240 VAC@40A, 50A, or 60A; Export (50 Hz): 230-240 VAC@20A, 30A, or 40A; or Suitably Rated Circuit Breaker to Comply with Local Electrical Regulations. Certain Countries May Require 2 Power Inputs; Two GFCI/RCD Breakers are Required for This Configuration.	
Limited Warranty*:	North America (60 Hz): 10 Years Shell, 7 Years Shell Surface, 5 Years for Plumbing Component Leaks, 5 Years Equipment and Controls, 5 Years Cabinet, 2 Years Jets, 2 Years Lights, 1 Year Stereo Export (50 Hz): 10 Years Shell, 7 Years Shell Surface, 2 Years Plumbing, 2 Years Equipment and Controls, 2 Years Cabinet, 2 Years Jets, 2 Years Lights, 1 Year Stereo	
Waterfall Feature:	On/Off Flow Rate; Colored Lighting	
Special Features	Optional Factory Installed BLUEWAVE™ Spa Stereo System with Wireless Remote Control, Auxiliary 3.5 mm headphone jack connection, USB connection, FM radio, Bluetooth compatible and integrated docking station	

*(See Warranty Document for Specific Details)

Dimensions/Specifications Subject To Change Without Notice

2014 Sundance Spas 780 Hamilton

Operation/New Features



(A) Air Control - Activates Seat A Jets (2 Vortex, 4 Vortex Mini) + Seat B Jet (2 SMT Fluidix) + Seat D (2 Vortex) + Footwell Jets (2 Vortex Mini)

(B) Air Control - Activates Seat C Jets (8 SMT Micro, 2 Vortex Mini, 6 SMT Fluidix)

(C) Massage Selector [Pump 1]- Adjusts Massage Level Between Seat C Jets and Seat E Jets

(D) Air Control - Activates Seat E Jets (2 SMT Micro, 9 Accu-Pressure)

(E) Waterfall Selector [8-Hour Circ. Pump] - Controls Waterfall Output

• Jets Pump 2: Seat A Jets + Seat B Jets + Seat D Jets + Footwell Jets are always on when this pump is running

41 Total Jets (Stainless Steel Escutcheons Standard)



Spa Operation Subject To Change Without Notice

NEW FOR 2014!



New Color - Caribbean Surf

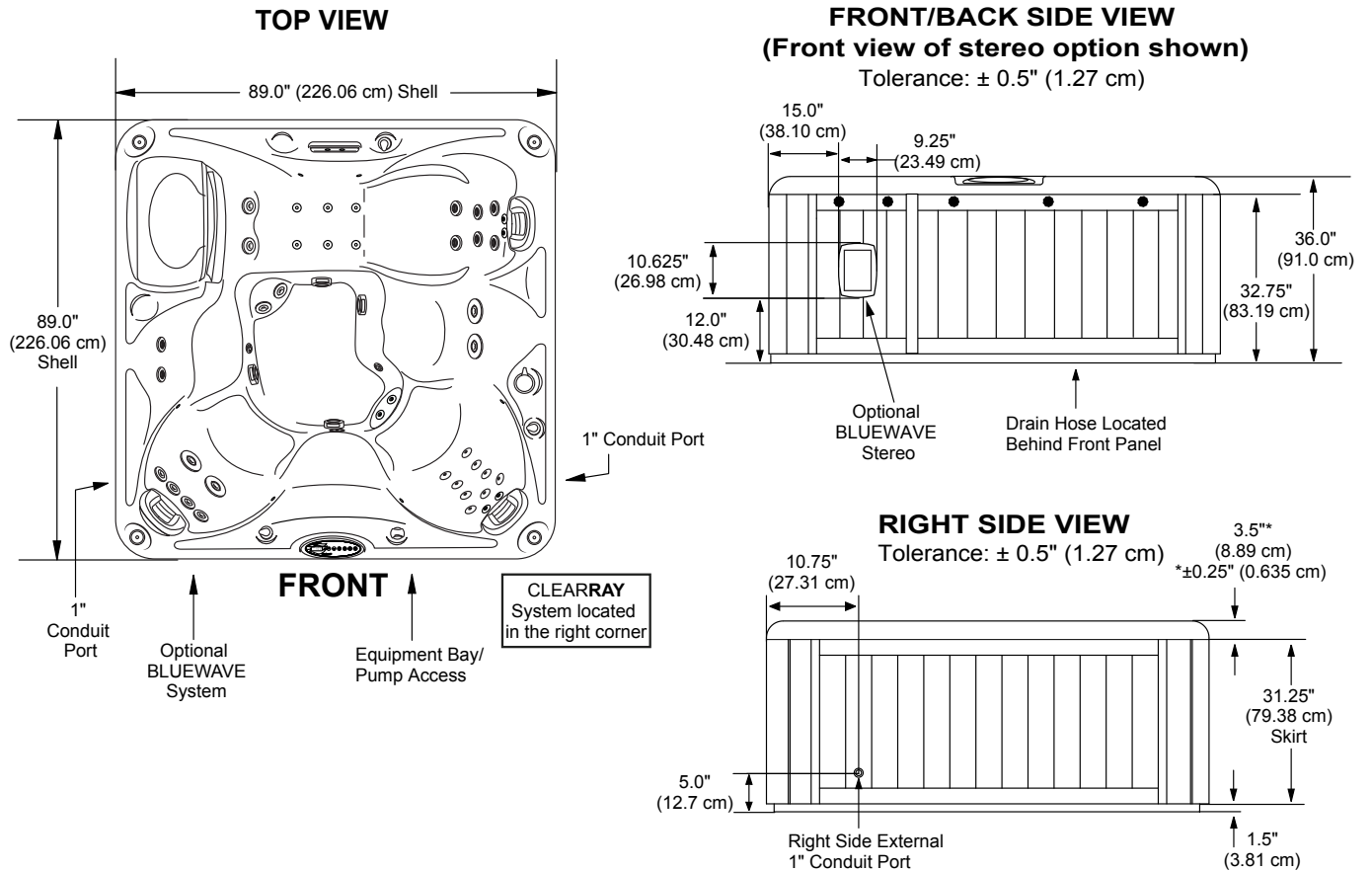


New Color - Midnight

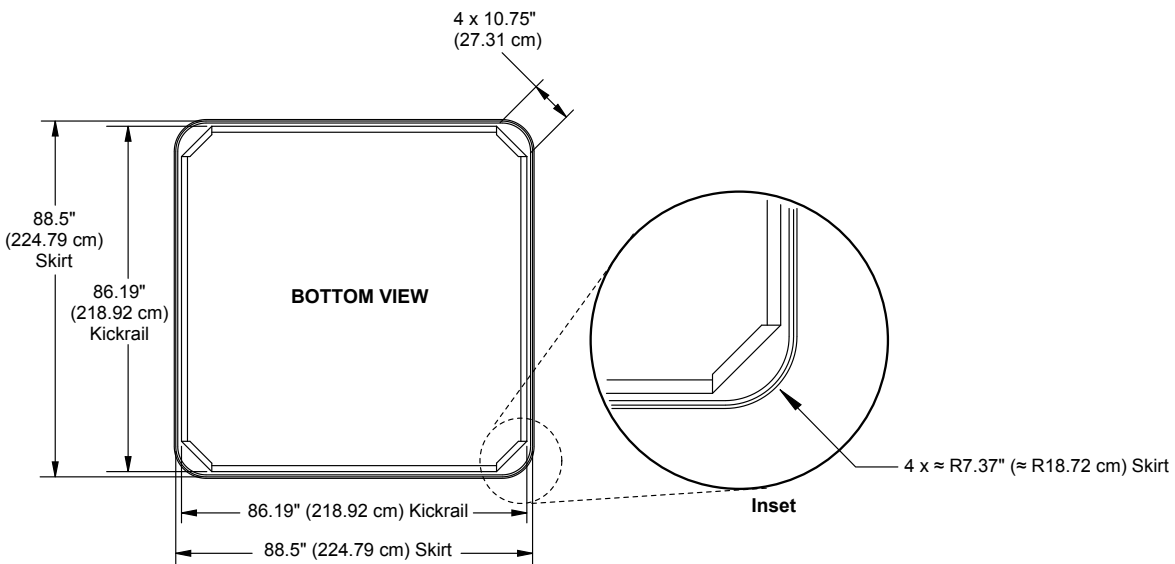
Dimensions/Specifications Subject To Change Without Notice

2014 Sundance Spas 780 Hamilton

Portable Dimensions



STOP **IMPORTANT! Always measure each hot tub for exact dimensions BEFORE designing its foundational support and/or decking.** **STOP**



Dimensions/specifications subject to change without notice. Tolerance: $\pm 0.5"$ (1.27 cm)

Dimensions/Specifications Subject To Change Without Notice