


2013 Sundance Spas 680 Hawthorne

Specifications

Dimensions:	92" x 92" x 36" (234 cm x 234 cm x 91.5 cm)	
Seating Capacity:	5-6 Adults	
Dry Weight:	880 lbs (399 kg)	
Filled Weight (Spa Volume):	5,550 lbs (2,518 kg)	
Filled Weight (Average Fill):	4,575 lbs (2,075 kg)	
Water Capacity (Spa Volume):	560 US Gal (2,120 Liters)	
Water Capacity (Average Fill):	443 US Gal (1,677 Liters)	
Controls:	Solid-State Electronic Controls with LED Readout, Programmable Water Temperature, Filtration, and Heat Cycles	
Water Delivery:	2 High Flow Pumps	
Pump 1:	North America (60 Hz): 2-Speed/2.5 HP Continuous, 11.0A Max., 56 Frame Export (50 Hz): 2-Speed/2.0 HP continuous, 8.0A max.	
Pump 2:	North America (60 Hz): 1-Speed/2.5 HP Continuous, 10.0A Max., 56 Frame Export (50 Hz): 1-Speed/2.0 HP continuous, 8.0A max.	
Optional Pump 3:	N/A	
Total Hydrojets:	44	
Seat A Jets:	2 DX, 8 DXL, 4 DV	
Seat B Jets:	2 DX, 4 DVX	
Seat C Jets:	2 DX, 6 DL, 1 DST (Sidewall)	
Seat D Jets:	4 DL	
Seat E Jets:	2 DX, 4 DVX	
Seat F Jets:	3 DXL	
Foot Well Jets (G):	2 DVX	
Air Controls/Massage Selectors:	3/1	
Filter:	Two, 45 ft ² Filter Cartridge System	
Water Treatment:	Factory installed CLEARRAY® Water Purification System	
Lighting:	CL LED Lighting System (Interior Surround and Footwell)	
Synthetic Cabinet:	Available in Coastal, Mahogany, Autumn Walnut	
Shell Colors:	North America: Platinum, Sand, Sahara, Copper Sand, Sea Mist, Celestite, Oyster, Monaco Export (50 Hz): All North America Colors	
Headrest:	Four, 1-Piece Gray	
Heater:	North America (60 Hz): 5.5 kW, High Flow Standard Export (50 Hz): 2.7 kW, High Flow Standard	
Electrical Requirements:	North America (60 Hz): 240 VAC, 60 Hz@40A, 50A or 60A; Export (50 Hz): 230-240 VAC@20A, 30A or 40A; or Suitably Rated Circuit Breaker to Comply with Local Electrical Regulations. Certain Countries May Require 2 Power Inputs; Two GFCI/RCD Breakers are Required for This Configuration.	
Limited Warranty*:	North America (60 Hz): 5 Years Shell, 2 Years Shell Surface, 2 Years Equipment and Controls, 2 Years Plumbing Component Leaks, 1 Year Cabinet, 1 Year Jets, 1 Year Stereo Export (50 Hz): 5 Years Shell, 2 Years Shell Surface, 1 Year Plumbing Component Leaks, 1 Year Equipment and Controls, 1 Year Cabinet, 1 Year Jets, 1 Year Stereo	
Waterfall Feature:	Variable Valve Control	
Special Features:	Optional Factory Installed BLUEWAVE™ Spa Stereo System with Wireless Remote Control, Auxiliary 3.5 mm headphone jack connection, USB connection, FM radio, Bluetooth compatible and integrated docking station	

*(See Warranty Document for Specific Details)

Dimensions/Specifications Subject To Change Without Notice

2013 Sundance Spas 680 Hawthorne

Operation/New Features



(A) Air Control - Activates Seat A Jets (2 DX, 8 DXL, 4 DV) + Seat D Jets (4 DL)

(B) Massage Selector [Pump 2]- Adjusts Seat B Jets + Seat C Jets + All Footwell Jets and Seat E Jets + Side Wall Jet

(C) Waterfall Selector [Pump 1] - Controls Waterfall Output

(D) Air Control - Activates Seat B Jets (2 DX, 6 DL) + Seat C Jets (2 DX, 4 DVX) + Footwell Jets (2 DVX)

(E) Air Control - Activates Seat E Jets (2 DX, 4 DVX) + Seat F Jets (3 DXL) + Side Wall Jet (1 DST)

- Jets Pump 1: Powers Seat A Jets + Seat D Jets + Waterfall when running

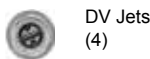
- Jets Pump 2: Powers Seat B Jets + Seat C Jets + Side Wall Jet + Seat E Jets + Footwell Jets when running

NOTE: Seat F Jets (3 DXL) are on at all times when jets pump 2 is running

44 Total Jets



DL Jets (10)



DV Jets (4)



DX Jets (8)



DXL Jet (11)



DVX Jets (10)



DST Jets (1)

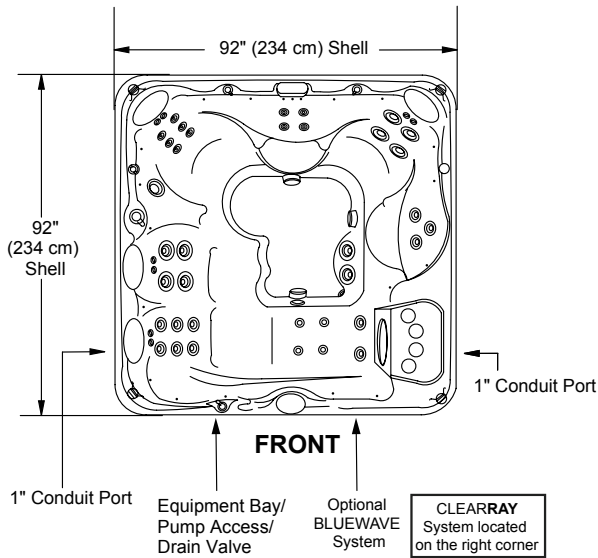
Spa Operation Subject To Change Without Notice

NEW FOR 2014!

2013 Sundance Spas 680 Hawthorne

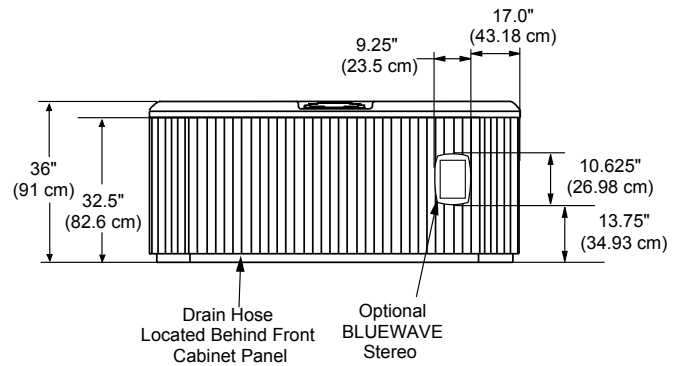
Portable Dimensions

TOP VIEW

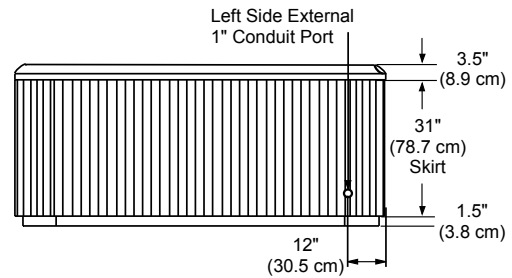


FRONT VIEW

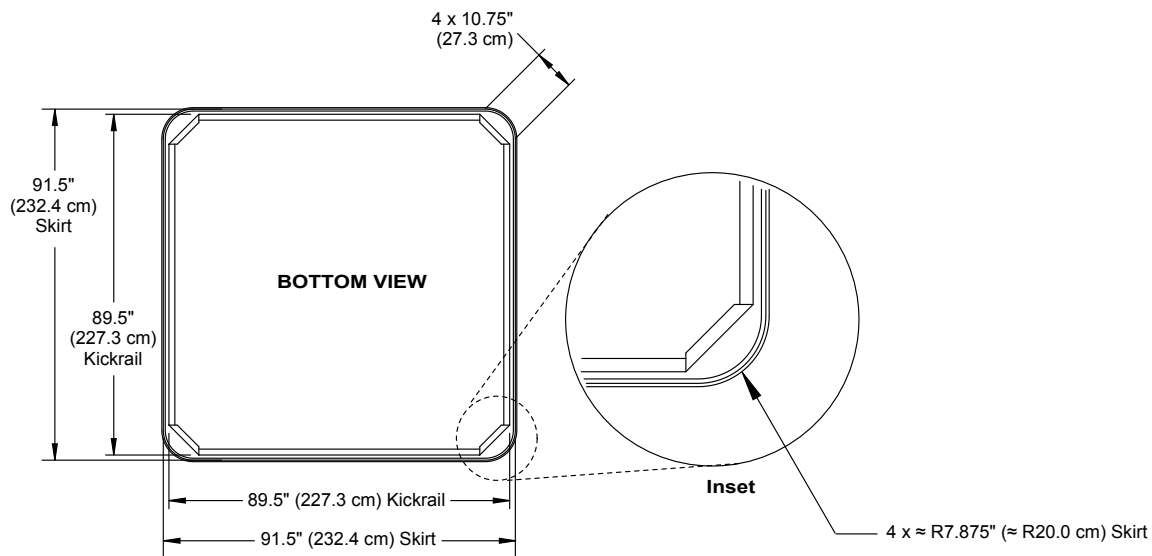
(Front view with stereo option shown)



BACK/SIDE VIEW



IMPORTANT! Always measure each hot tub for exact dimensions BEFORE designing its foundational support and/or decking.



Dimensions/Specifications Subject To Change Without Notice