


2014 Sundance Spas 880 Majesta

Specifications

Dimensions:	81" x 86" x 37.5" (206 cm x 218.5 cm x 95.5 cm)	
Seating Capacity:	5-6 Adults	
Dry Weight:	846 lbs (384 kg)	
Filled Weight (Spa Volume):	4,474 lbs (2,029 kg)	
Filled Weight (Average Fill):	3,598 lbs (1,632 kg)	
Water Capacity (Spa Volume):	435 US Gal (1,647 Liters)	
Water Capacity (Average Fill):	330 US Gal (1,249 Liters)	
Controls:	880 Series Solid State, LCD User Interface Displays Temperature, Time, Cycles and Fingertip Jet/Air System Control. Offers Customizing of Preprogrammed Filtration Cycles and Water Temperature Setting	
Water Delivery:	2 TheraMax High-Flow Pumps and 8-Hour Dynamic Flow Circulation System	
Pump 1:	North America (60 Hz): 1-Speed/2.5 HP Continuous, 11.3A Max., 56 Frame Export (50 Hz): 1-Speed/2.0 HP Continuous, 7.0A Max.	
Pump 2:	North America (60 Hz): 1-Speed/2.5 HP Continuous, 11.3A Max., 56 Frame Export (50 Hz): 1-Speed/2.0 HP Continuous, 7.0A Max.	
Pump 3:	High Output Dynamic Flow, 8-Hour Filter/Circulation Pump (35 gpm) Programmable for Daily Start Time and Duration	
Total Hydrojets:	31	
Seat A Jets:	2 Fluidix Intelli-Jet, 2 Fluidix Nex	
Seat B Jets:	2 Fluidix Intelli-Jet	
Seat C Jets:	12 Fluidix ST, 2 Fluidix Nex	
Rear Wall Jet (D):	1 Vortex	
Seat E Jets:	2 Fluidix Nex, 2 Vortex, 2 Fluidix Intelli-Jet	
Seat F Jets:	2 Accu-Pressure	
Footwell Jets (G):	2 Whirlpool	
Air Blower:	High-Efficiency, 1-Speed	
Aromatherapy Delivery:	14 Air Injector Jets with Quiet High Speed Air Pump	
Air Controls/Massage Selectors:	5/1 (Standard air control LED light rings)	
Filter:	MICROCLEAN® Ultra Filtration System, 130 ft² (2 interlocking cartridge filters)	
Water Treatment:	Automatic Brominator and Dynamic Flow Circulation System; Factory installed CLEARARRAY® Water Purification System	
Lighting:	AquaTerrace Multi-Colored Sunglow LED Lighting System (1 Waterfall, 1 Footwell, 5 Air controls, 1 Backlit handrails)	
Synthetic Cabinet:	Available in Coastal, Mahogany, Autumn Walnut	
Shell Colors (Portable Models):	North America: Platinum, Sand, Sahara, Celestite, Oyster, Copper Sand, Sea Mist, Monaco, Midnight, Caribbean Surf Export (50 Hz): All North America Colors	
Handrails:	One High Quality Stainless Steel with a backlit LED light	
ComforTone Headrests:	Three 2-Part/2-Tone Gray	
Heater:	North America (60 Hz): Low Flow 5.5 kW with Titanium Element Export (50 Hz): Low Flow 2.7 kW with Titanium Element	
Electrical Requirements:	North America (60 Hz): 240 VAC@40A, 50A or 60A; Export (50 Hz): 230-240 VAC@20A, 30A or 40A; or Suitably Rated Circuit Breaker to Comply with Local Electrical Regulations. Certain Countries may Require 2 Power Inputs; Two GFCI/RCD Breakers are Required for This Configuration.	
Limited Warranty*:	North America (60 Hz): 10 Years Shell, 7 Years Shell Surface, 5 Years Plumbing Component Leaks, 5 Years Equipment and Controls, 5 Years Cabinet, 5 Years Jets, 2 Years Lights, 1 Year Stereo Export (50 Hz): 10 Years Shell, 7 Years Shell Surface, 2 Years Plumbing Component Leaks, 2 Years Equipment and Controls, 2 Years Cabinet, 2 Years Jets, 2 Years Lights, 1 Year Stereo	
Waterfall Feature:	Adjustable Flow Rate; Colored back-lighting	
Special Features:	(Portable Models Only): Optional Factory Installed BLUEWAVE™ Spa Stereo System with Wireless Remote Control, Auxiliary 3.5 mm headphone jack connection, USB connection, FM radio, Bluetooth compatible and integrated docking station	
Inground Model:	Not Available	

*(See Warranty Document for Specific Details)

Dimensions/Specifications Subject To Change Without Notice

2014 Sundance Spas 880 Majesta

Operation/New Features



- (A)** Sunscent Dispenser
- (B)** Air Control - Activates Seat A Jets (2 Fluidix Nex, 2 Fluidix Intelli-Jet) + Seat B Jets (2 Fluidix Intelli-Jet) + Seat D (1 Vortex Jet)
- (C)** Massage Selector [Pump 2] - Adjusts Massage Level Between Footwell Jets and Seat C Jets
- (D)** Air Control - Activates Upper Six Seat C Jets (2 Fluidix Nex, 4 Fluidix-ST)
- (E)** Air Control - Activates Lower Eight Seat C Jets (8 Fluidix-ST)
- (F)** Waterfall Selector [8-Hour Circ. Pump] - Controls Waterfall Output
- (G)** Air Control - Activates Seat E Jets (2 Fluidix Nex, 2 Vortex, 2 Fluidix Intelli-Jet) + Seat F Jets (2 Accu-Pressure)
- (H)** Air Control - Activates Footwell Jets (2 Whirlpool)

• Jets Pump 1: Seat A Jets + Seat B Jets + Seat D Jet + Seat E Jets + Seat F Jets are always on when this pump is running

31 Total Jets



Spa Operation Subject To Change Without Notice

NEW FOR 2014!



New Color - Caribbean Surf

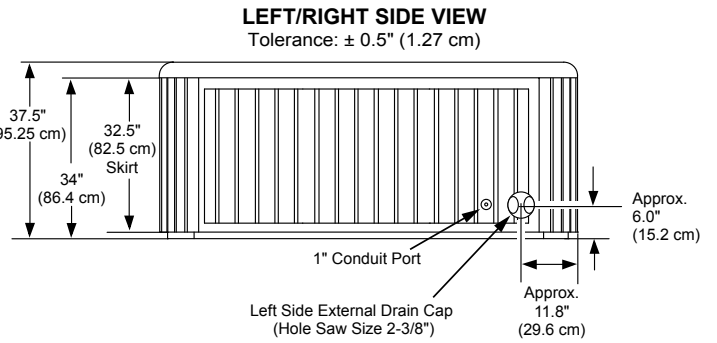
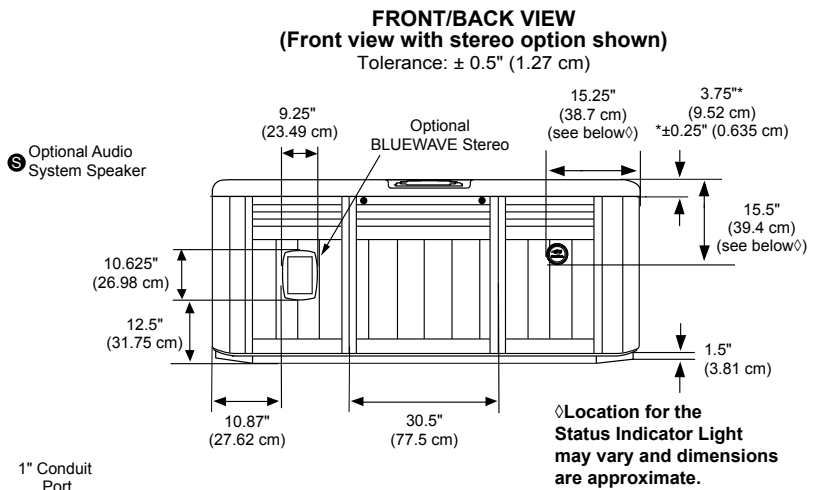
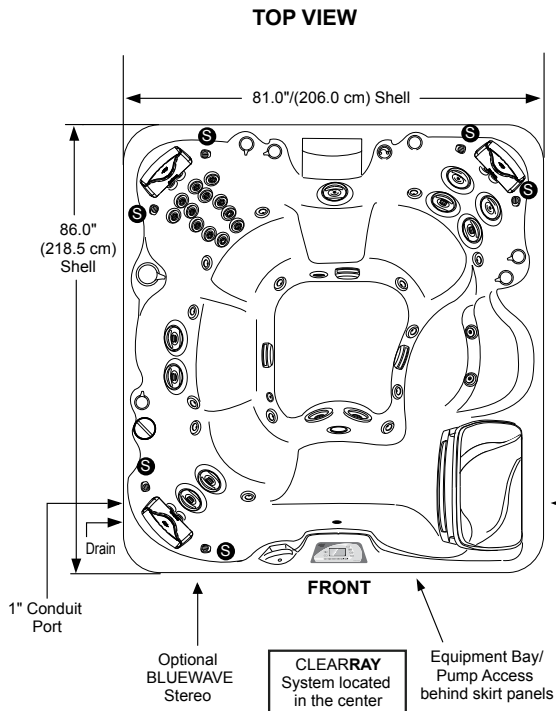


New Color - Midnight

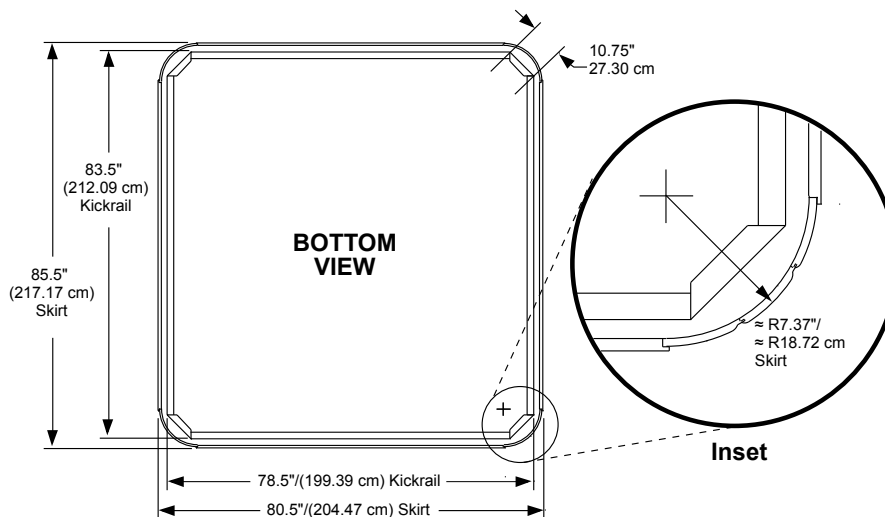
Dimensions/Specifications Subject To Change Without Notice

2014 Sundance Spas 880 Majesta

Portable Dimensions



IMPORTANT! Always measure each hot tub for exact dimensions BEFORE designing its foundational support and/or decking.



Dimensions/specifications subject to change without notice. Tolerance: $\pm 0.5"$ (1.27 cm)

Dimensions/Specifications Subject To Change Without Notice