


# 2014 Sundance Spas 880 Optima

## Specifications

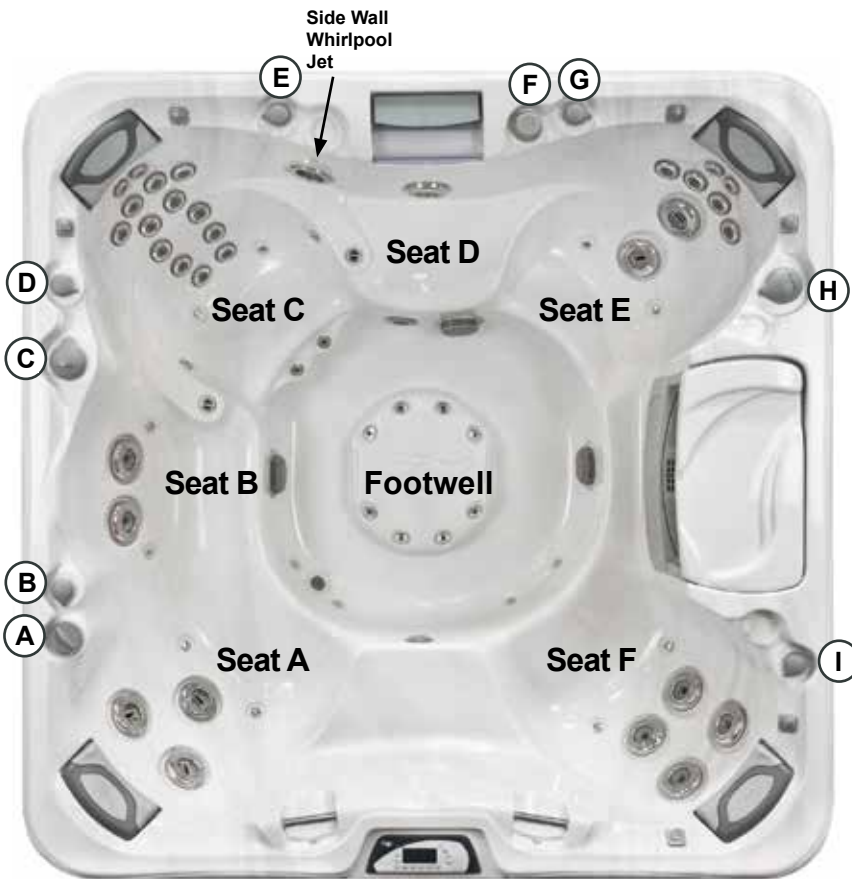
<b>Dimensions:</b>	89" x 89" x 37.5" (226 cm x 226 cm x 95.5 cm)	
<b>Seating Capacity:</b>	6-7 Adults	
<b>Dry Weight:</b>	924 lbs (419 kg)	
<b>Filled Weight (Spa Volume):</b>	5,344 lbs (2,424 kg)	
<b>Filled Weight (Average Fill):</b>	4,343 lbs (1,970 kg)	
<b>Water Capacity (Spa Volume):</b>	530 US Gal (2,006 Liters)	
<b>Water Capacity (Average Fill):</b>	410 US Gal (1,552 Liters)	
<b>Controls:</b>	880 Series Solid State, LCD User Interface Displays Temperature, Time, Cycles and Fingertip Jet/Air System Control. Offers Customizing of Preprogrammed Filtration Cycles And Water Temperature Setting	
<b>Water Delivery:</b>	2 TheraMax High-Flow Pumps and 8-Hour Dynamic Flow Circulation System	
<b>Pump 1:</b>	North America (60 Hz): 1-Speed/2.5 HP Continuous, 11.3A Max., 56 Frame <b>Export (50 Hz): 1-Speed/2.0 HP Continuous, 7.0A Max.</b>	
<b>Pump 2:</b>	North America (60 Hz): 1-Speed/2.5 HP Continuous, 11.3A Max., 56 Frame <b>Export (50 Hz): 1-Speed/2.0 HP Continuous, 7.0A Max.</b>	
<b>Pump 3:</b>	High Output Dynamic Flow, 8-Hour Filter/Circulation Pump (35 gpm); Programmable for Daily Start Time and Duration	
<b>Total Hydrojets:</b>	<b>47</b>	
<b>Seat A Jets:</b>	3 Fluidix Intelli-Jet	
<b>Seat B Jets:</b>	2 Vortex	
<b>Seat C Jets:</b>	12 Fluidix ST, 2 Fluidix Nex, 1 Whirlpool (sidewall), 4 Accu-Pressure, 2 Pulsator	
<b>Rear Wall Jet (D):</b>	1 Vortex	
<b>Seat E Jets:</b>	2 Fluidix Intelli-Jet, 2 Fluidix Nex, 4 Fluidix ST	
<b>Seat F Jets:</b>	4 Vortex	
<b>Footwell Jets (G):</b>	8 Accu-Pressure	
<b>Air Blower:</b>	High-Efficiency, 1-Speed	
<b>Aromatherapy Delivery:</b>	14 Air Injector Jets with Quiet High Speed Air Pump	
<b>Air Controls/Massage Selectors:</b>	5/2 (Standard Air controls with LED light rings)	
<b>Filter:</b>	MICROCLEAN® Ultra Filtration System, 130 ft <sup>2</sup> (2 interlocking cartridge filters)	
<b>Water Treatment:</b>	Automatic Brominator and Dynamic Flow Circulation System; Factory installed CLEARARRAY® Water Purification System	
<b>Lighting:</b>	AquaTerrace Multi-Colored Sunglow LED Lighting System (1 Waterfall, 1 Footwell, 5 Air controls, 2 Backlit handrails)	
<b>Synthetic Cabinet:</b>	Available in Coastal, Mahogany, Autumn Walnut	
<b>Shell Colors (Portable Models):</b>	North America(60 Hz)/ <b>Export (50 Hz):</b> Platinum, Sand, Sahara, Celestite, Oyster, Copper Sand, Sea Mist, Monaco, Midnight, Caribbean Surf	
<b>Shell Colors (Inground Models):</b>	Sahara, Platinum	
<b>Handrails:</b>	Two High Quality Stainless Steel with backlit LED lighting	
<b>ComfortTone Headrests:</b>	Four 2-Part/2-Tone Gray	
<b>Heater (Portable Models Only):</b>	North America (60 Hz): Low Flow 5.5 kW with Titanium Element <b>Export (50 Hz): Low Flow 2.7 kW with Titanium Element</b>	
<b>Electrical Requirements:</b>	North America (60 Hz): 240 VAC@40A, 50A or 60A; <b>Export (50 Hz): 230-240 VAC@20A, 30A or 40A; or Suitably Rated Circuit Breaker to Comply with Local Electrical Regulations. Certain Countries may Require 2 Power Inputs; Two GFCI/RCD Breakers are Required for This Configuration.</b>	
<b>Limited Warranty*:</b>	North America (60 Hz): 10 Years Shell, 7 Years Shell Surface, 5 Years Plumbing Component Leaks, 5 Years Equipment and Controls, 5 Years Synthetic Cabinet, 5 Years Jets, 2 Years Lights, 1 Year Stereo <b>Export (50 Hz): 10 Years Shell, 7 Years Shell Surface, 2 Years Plumbing Component Leaks, 2 Years Equipment and Controls, 2 Years Synthetic Cabinet, 2 Years Jets, 2 Years Lights, 1 Year Stereo</b>	
<b>Waterfall Feature:</b>	Adjustable Flow Rate (Portable Models Only); Colored back-lighting	
<b>Special Features:</b>	(Portable Models Only): Optional Factory Installed BLUEWAVE™ Spa Stereo System with Wireless Remote Control, Auxiliary 3.5 mm headphone jack connection, USB connection, FM radio, Bluetooth compatible and integrated docking station	
<b>Inground Model:</b>	Optional Equipment Pack Required. See Page 10 and 28 for details.	

\*(See Warranty Document for Specific Details)

Dimensions/Specifications Subject To Change Without Notice

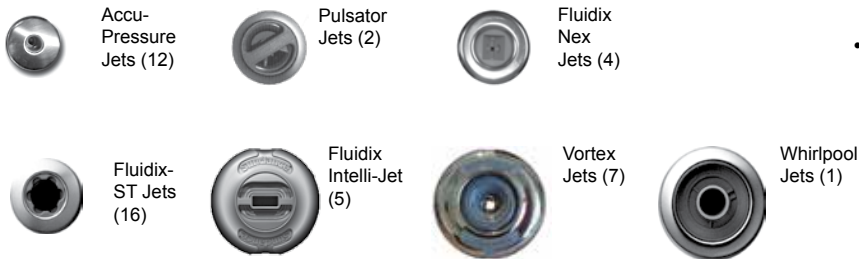
# 2014 Sundance Spas 880 Optima

## Operation/New Features



- (A)** Sunscents Dispenser
- (B)** Air Control - Activates Seat A Jets (3 Fluidix Intelli-Jet) + Seat B Jets (2 Vortex) + Side Wall Whirlpool Jet
- (C)** Massage Selector [Pump 2] - Adjusts Massage Level Between Seat C Jets (except 4 Accu-Pressure) and Footwell Jets + Rear Wall Jet
- (D)** Air Control - Activates Upper Eight Seat C Jets (2 Fluidix Nex, 6 Fluidix-ST)
- (E)** Air Control - Activates Lower Twelve Seat C Jets (6 Fluidix-ST, 4 Accu-Pressure, 2 Pulsators)
- (F)** Waterfall Selector [8-Hour Circ. Pump] - Controls Waterfall Output
- (G)** Air Control - Activates Seat E Jets (2 Fluidix Nex, 4 Fluidix-ST, 2 Fluidix Intelli-Jet) + Seat F Jets (4 Vortex)
- (H)** Massage Selector [Pump 1] - Adjusts Massage Level Between Seat A Jets + Side Wall Whirlpool and Seat E Jets + Seat F Jets
- (I)** Air Control - Activates Seat D Rear Wall Jet (1 Vortex) + Footwell Jets (8 Accu-Pressure)

### 47 Total Jets



- Jets Pump 1: Seat B Jets are always on when this pump is running
- Jets Pump 2: The 4 Accu-Pressure Jets in the Seat C are always on when this pump is running

Spa Operation Subject To Change Without Notice

## NEW FOR 2014!



New Color - Caribbean Surf

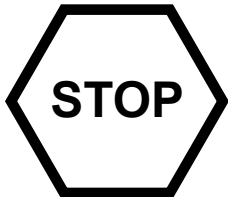
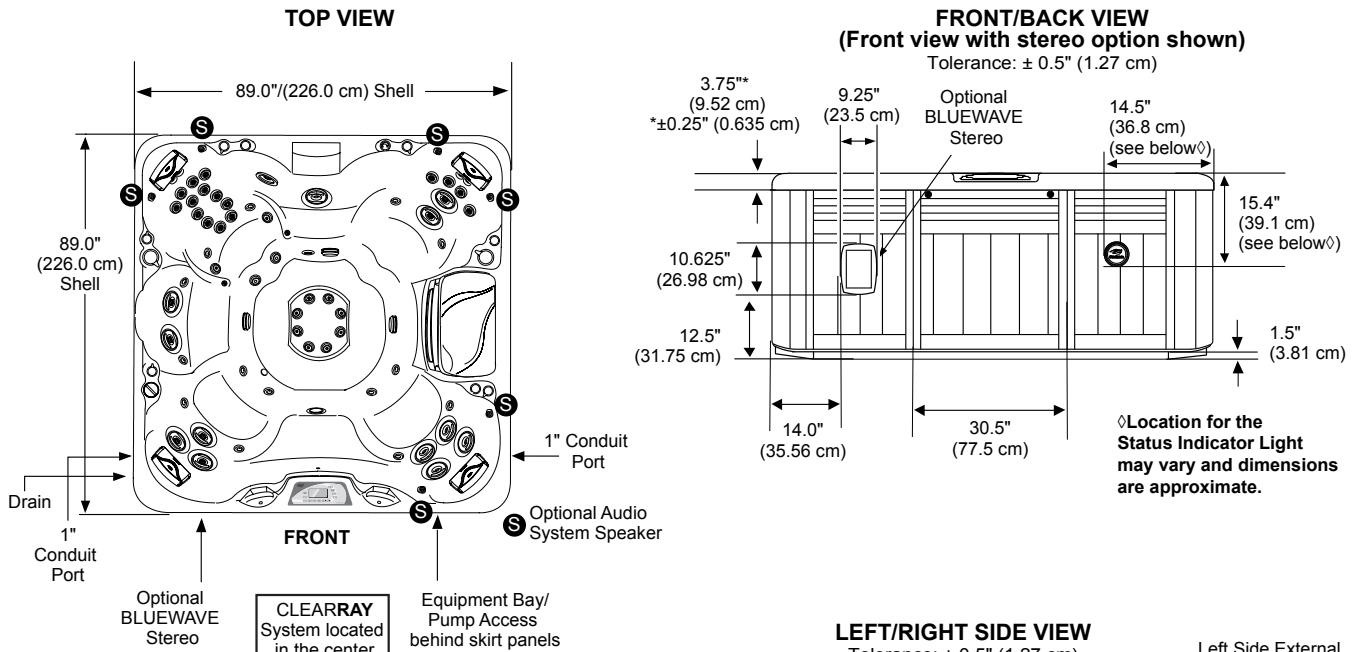


New Color - Midnight

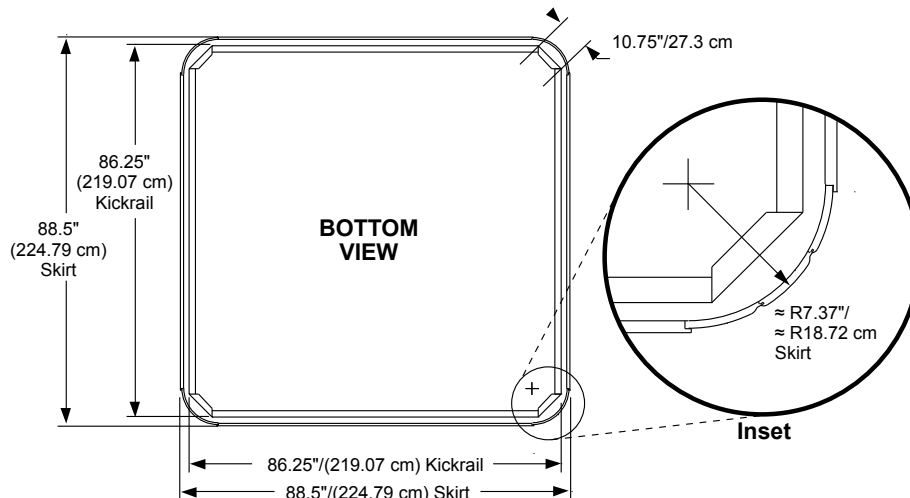
Dimensions/Specifications Subject To Change Without Notice

# 2014 Sundance Spas 880 Optima

## Portable Dimensions



**IMPORTANT! Always measure each hot tub for exact dimensions BEFORE designing its foundational support and/or decking.**



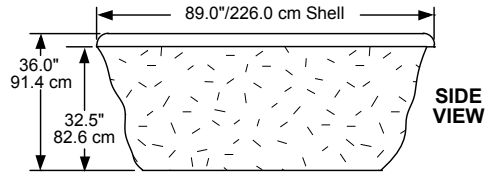
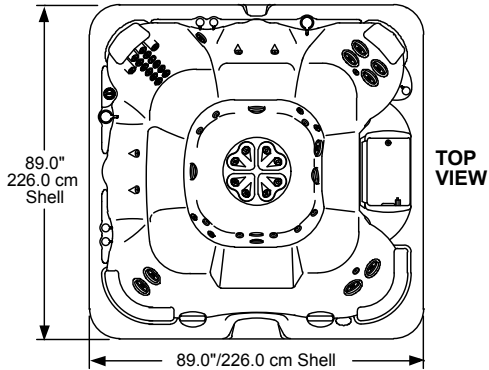
Dimensions/specifications subject to change without notice. Tolerance:  $\pm 0.5"$  (1.27 cm)

Dimensions/Specifications Subject To Change Without Notice

# 2014 Sundance Spas 880 Optima

## Inground Dimensions

Note: 2004 shell used for Optima inground models.



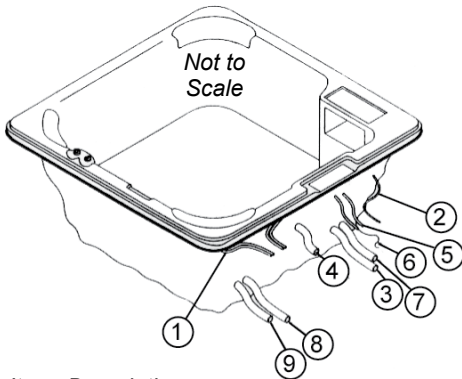
**CAUTION:**

1. Always refer to the *Inground Shell Installation Instruction Manual* before installing the shell.
2. Always measure each hot tub for exact dimensions **BEFORE** designing its foundational support and/or decking.
3. The foam installation under the shell may extend beyond the shell lip.

Note: Inground Equipment Pack Purchased Separately. See Page 28 for Details.

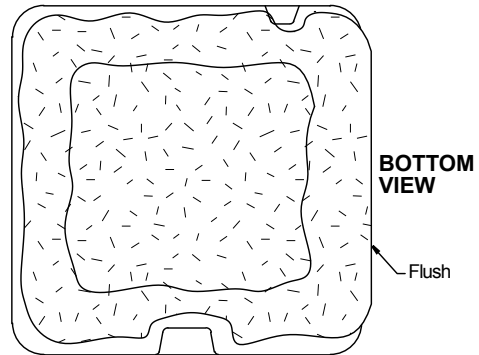
The following equipment is not available on inground models:

- The Optional Intelli-Sound Stereo System
- The AquaTerrace Waterfall
- The AquaTerrace LED Lighting System
- Circulation Pump
- Jet Types May Vary From Current Portable Models



Item: Description:

1. Air Control Intake, 0.5" Pipe
2. Ozone Hookup, 0.375" Pipe, 50'
3. Pump #1 Suction, 2" Pipe (Red)
4. Blower, 2" Pipe (Green)
5. Light Cord, 50'
6. Cord, 0.5" Pipe Temperature Sensor, 50'
7. Pump #1 Return, 2" Pipe (Blue)
8. Pump #2 Suction, 2" Pipe (Orange)
9. Pump #2 Return, 2" Pipe (Yellow)



**IMPORTANT!** Always measure each hot tub for exact dimensions **BEFORE** designing its foundational support and/or decking.

