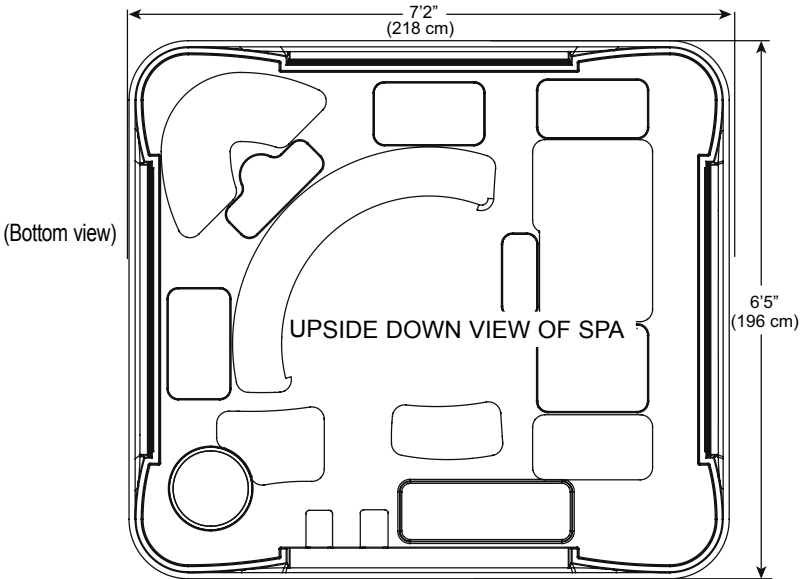
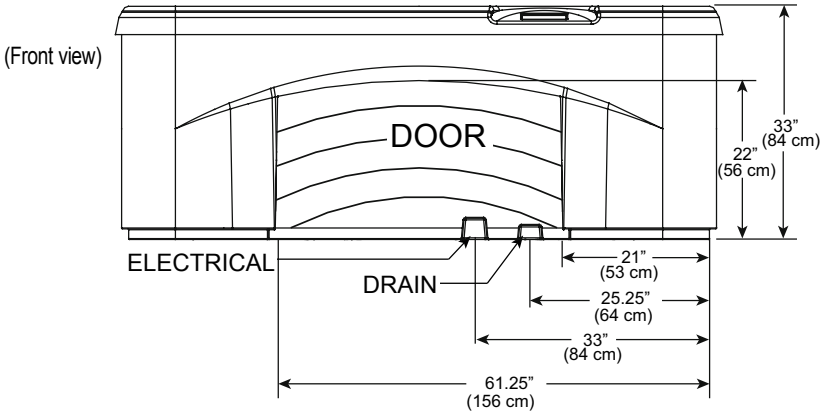


# ENTICE

## Dimensions

**NOTE: All dimensions are approximate; measure your spa before making critical design or pathway decisions.**



DOOR SIDE