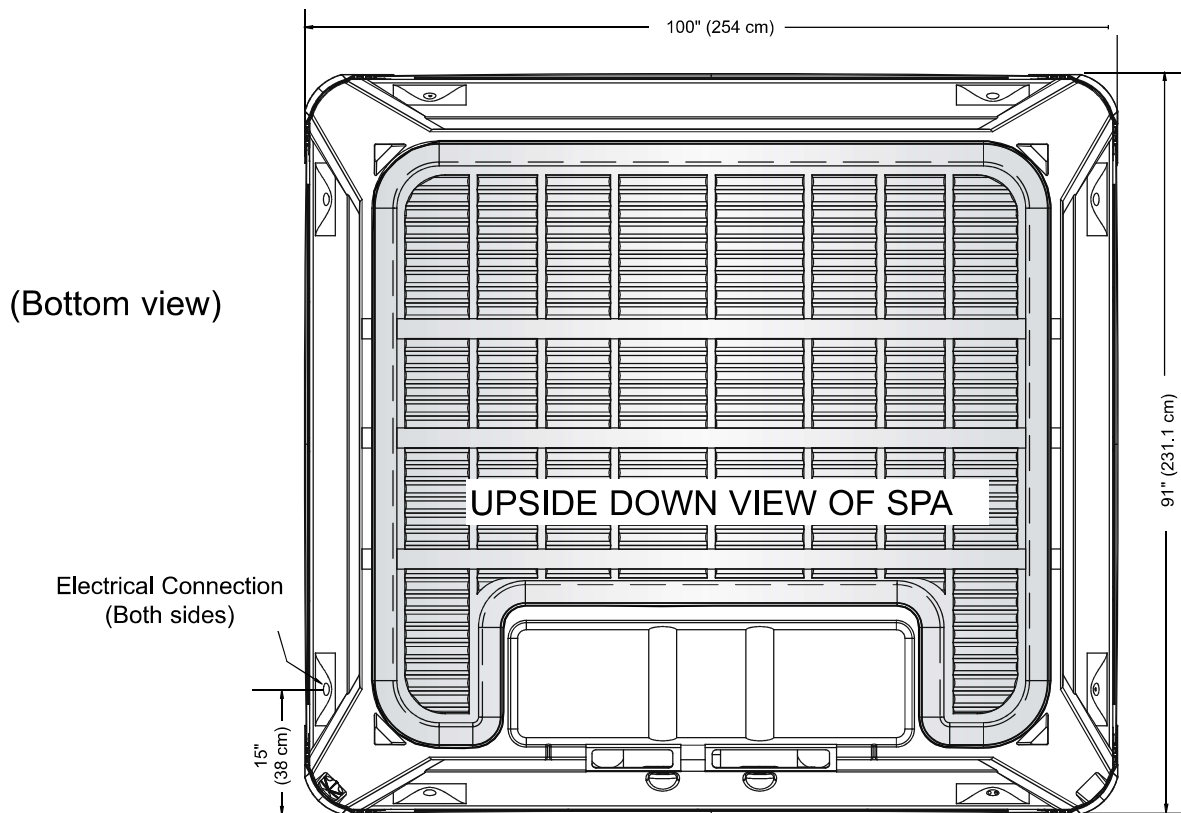
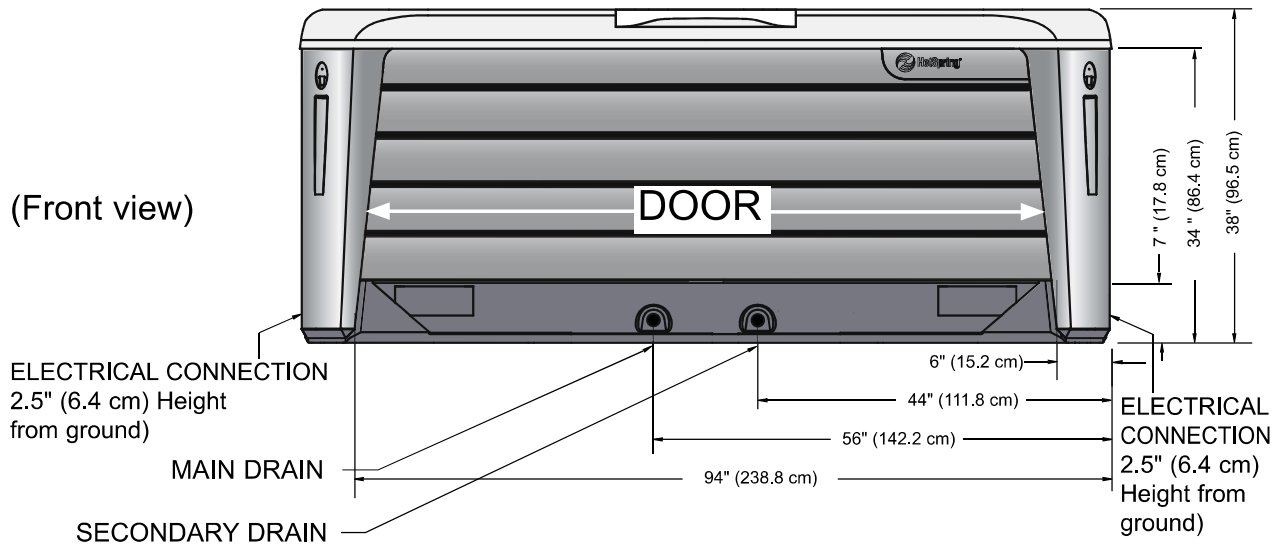


# GRANDEE

## Dimensions

**NOTE:** All dimensions are approximate; measure your spa before making critical design or pathway decisions.



## DOOR SIDE

**NOTE:** WATKINS WELLNESS requires that the **GRANDEE** be installed on a minimum 4" (10 cm) thick reinforced concrete pad or a deck that is able to withstand more than 115 lbs. per square foot (555 kg/m<sup>2</sup>).

**WARNING:** The **GRANDEE** must not be shimmed in any manner.