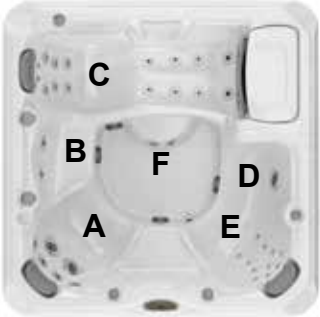


# Sundance Spas 780 Bristol™

## Specifications

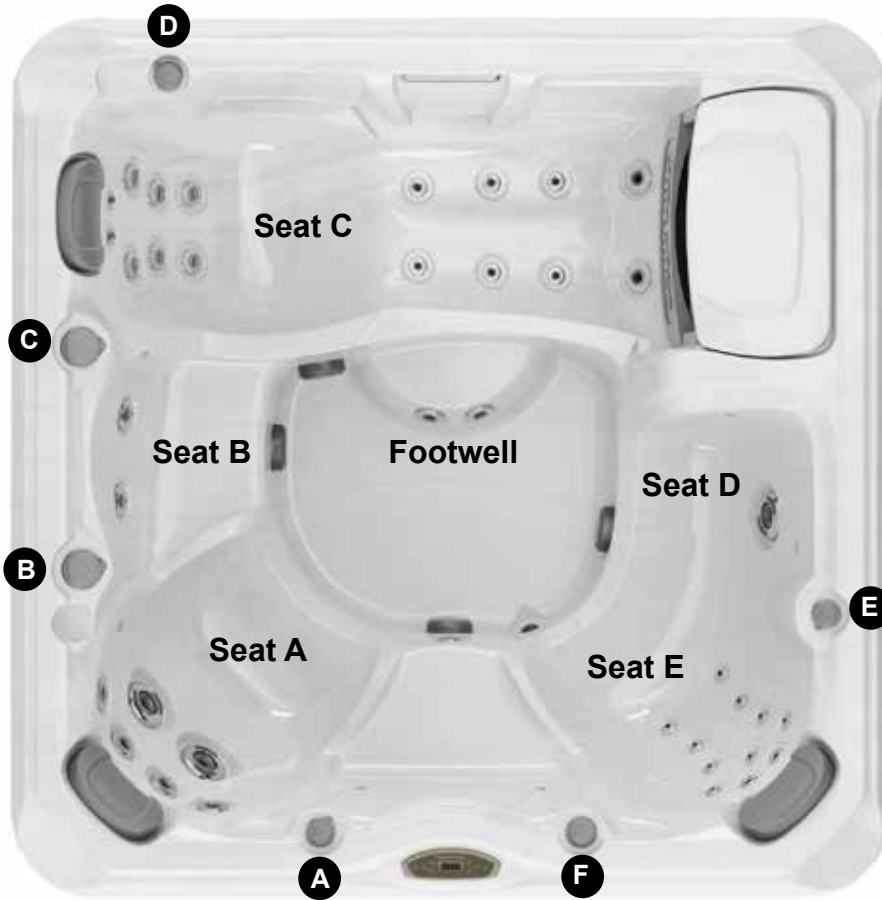
<b>Dimensions:</b> .....	84" x 84" x 36" (213 cm x 213 cm x 91.44 cm)	
<b>Seating Capacity:</b> .....	5 Adults	
<b>Dry Weight:</b> .....	745 lbs (338 kg)	
<b>Filled Weight (Spa Volume):</b> .....	4,331 lbs (1,965 kg)	
<b>Filled Weight (Average Fill):</b> .....	3,664 lbs (1,662 kg)	
<b>Water Capacity (Spa Volume):</b> .....	430 US Gal (1,628 Liters)	
<b>Water Capacity (Average Fill):</b> .....	350 US Gal (1,325 Liters)	
<b>Controls:</b> .....	780 Series Solid-State Electronic Controls with LCD Readout, Programmable Water Temperature, Filtration, and Heat Cycles	
<b>Water Delivery:</b> .....	2 High Flow Pump	
<b>Pump 1:</b> .....	North America (60 Hz): 1-Speed/2.5 HP Continuous, 12.0A Max., 56 Frame <b>Export (50 Hz): 1-Speed/2.0 HP Continuous, 8.0A Max.</b>	
<b>Pump 2:</b> .....	North America (60 Hz): 1-Speed/2.5 HP Continuous, 11A Max., 56 Frame <b>Export (50 Hz): 1-Speed/2.0 HP Continuous, 7.0A Max.</b>	
<b>Pump 3:</b> .....	8-Hour Filter/Circulation Pump; High Output Flow	
<b>Total Hydrojets:</b> .....	<b>38</b>	
<b>Seat A Jets :</b> .....	4 Mini Vortex, 2 Vortex	
<b>Seat B Jets:</b> .....	2 Mini Vortex	
<b>Seat C Jets:</b> .....	2 SMT Micro, 6 SMT Fluidix, 6 Adjustable Accu-Pressure, 2 Mini Vortex	
<b>Seat D Jets:</b> .....	1 Vortex	
<b>Seat E Jets:</b> .....	2 SMT Micro, 9 Accu-Pressure	
<b>Footwell Jets (F):</b> .....	2 Mini Vortex	
<b>Air Controls/Massage Selectors:</b> .....	3/2 Standard air control with LED lights	
<b>Filter:</b> .....	MicroClean® I Filtration System with Floating Weir, 125 ft² combined filtration, (1 pleated and 1 spun-bound cartridge)	
<b>Water Treatment:</b> .....	8-Hour Circulation Pump; Factory installed CLEARRAY® Water Purification System	
<b>Lighting:</b> .....	Standard Multi-Colored SunRay LED Light; 6 LED Pin Lights; Indicator light; Air controls	
<b>Synthetic Cabinet:</b> .....	Available in Coastal, Mahogany, Autumn Walnut	
<b>Shell Colors:</b> .....	North America: Platinum, Celestite (Gypsum), Sahara, Oyster (Opal), Copper Sand, Monaco, Midnight, Caribbean Surf, Sandstone, Porcelain <b>Export (50 Hz): All North America Colors</b>	
<b>Handrails:</b> .....	N/A	
<b>Headrests:</b> .....	Three, 1-Piece Gray	
<b>Heater:</b> .....	North America (60 Hz): 5.5 kW, High Flow <b>Export (50 Hz): High Flow, 2.7 kW</b>	
<b>Electrical Requirements:</b> .....	North America (60 Hz): 240 VAC@40A, 50A, or 60A; <b>Export (50 Hz): 230-240 VAC@1x20A, 1x16A/1x20A, or 3x16A (see manual for more configurations); or Suitably Rated Circuit Breaker to Comply with Local Electrical Regulations. Certain Countries May Require Dual Power Inputs; Two GFCI/RCD Breakers are Required for This Configuration.</b>	
<b>Limited Warranty*:</b> .....	North America (60 Hz): 10 Years Shell, 7 Years Shell Surface, 5 Years Plumbing Component Leaks, 5 Years Equipment and Controls, 5 Years Cabinet, 2 Years Jets, 2 Years Lights, 1 Year Stereo <b>Export (50 Hz): 10 Years Shell, 7 Years Shell Surface, 5 Years Plumbing Component Leaks, 5 Years Equipment and Controls, 5 Years Cabinet, 2 Years Jets, 2 Years Lights, 2 Years Stereo</b>	
<b>Waterfall Feature:</b> .....	On/Off Flow Rate on when circulation pump is running; Colored Lighting	
<b>Audio System (Optional):</b> .....	Factory Installed BLUEWAVE® Spa Stereo System with an Auxiliary 3.5 mm headphone jack connection and Bluetooth® compatible	
<b>Special Features (Optional):</b> .....	Factory Installed SmartTub™ module	

\*(See Warranty Document for Specific Details)

Dimensions/Specifications Subject To Change Without Notice

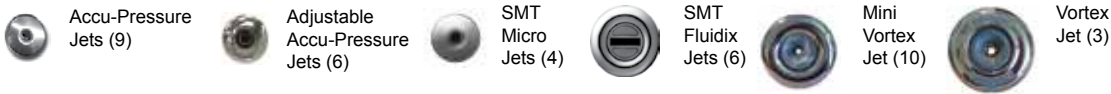
# Sundance Spas 780 Bristol

## Operation/Seat Depths



- (A)** Air Control - Activates Seat A Jets (2 Mini Vortex, 2 Vortex)
- (B)** Massage Selector [Pump 2]- Adjusts Massage Level Between Seat B Jets + Seat D Jet + Footwell Jets and Seat E Jets
- (C)** Massage Selector [Pump 1]- Adjusts Massage Level Between Seat C Jets and Seat A Jets
- (D)** Air Control - Seat C Jets (2 SMT Micro, 6 SMT Fluidix, 6 Adjustable Accu-Pressure, 2 Mini Vortex)
- (E)** Air Control - Activates Seat E Jets (2 SMT Micro, 9 Accu-Pressure) + Seat D Jets (2 Vortex) + Seat D Jets (2 Vortex) + Footwell Jets (2 Mini Vortex)
- (F)** Waterfall Selector [8-Hour Circ. Pump]- Controls Waterfall Output

### 38 Total Jets (Stainless Steel Escutcheons Standard)



Spa Operation Subject To Change Without Notice

## SEAT DEPTHS

**A = 27.00" (68.58 cm)**  
**B = 19.50" (49.53 cm)**  
**C = 25.25" (64.14 cm)**  
**D = 26.25" (66.68 cm)**

**E = 27.50" (69.85 cm)**  
**F = 18.25" (46.36 cm)**  
**G = 32.70" (83.06 cm)**

Listed dimensions represent distance from top of acrylic to lowest point in seat. **Tolerance ± 0.5" (1.27 cm).**

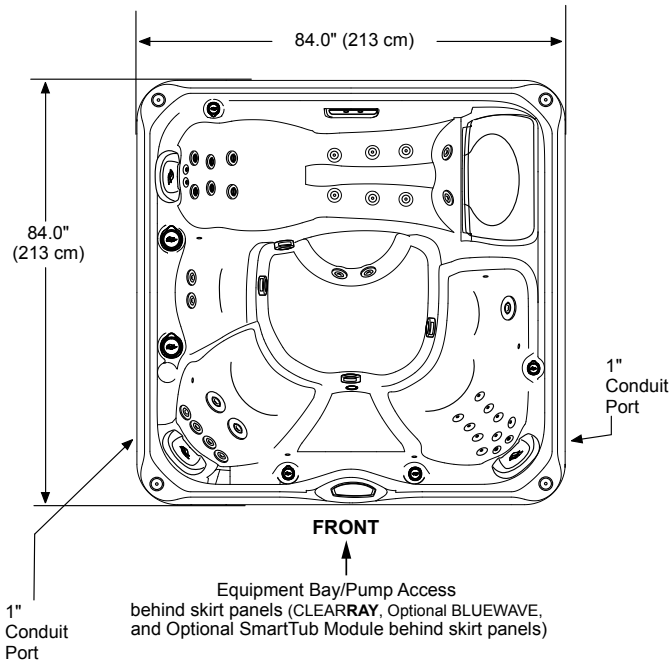


Dimensions/Specifications Subject To Change Without Notice

# Sundance Spas 780 Bristol

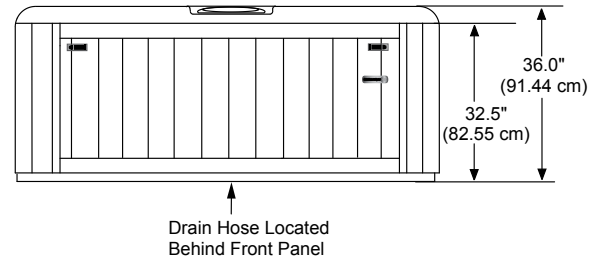
## Portable Dimensions

**TOP VIEW**



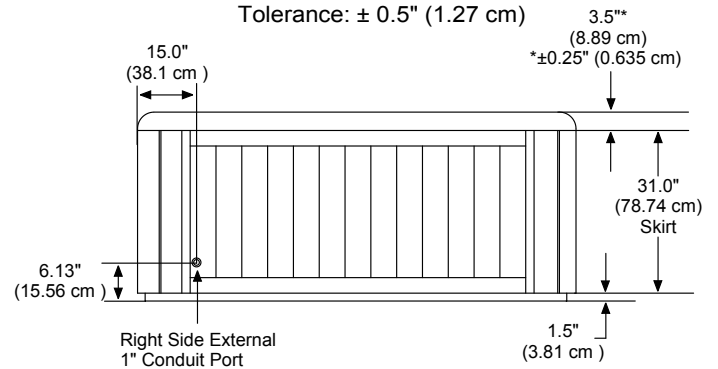
**FRONT/BACK VIEW**

Tolerance:  $\pm 0.5"$  (1.27 cm)

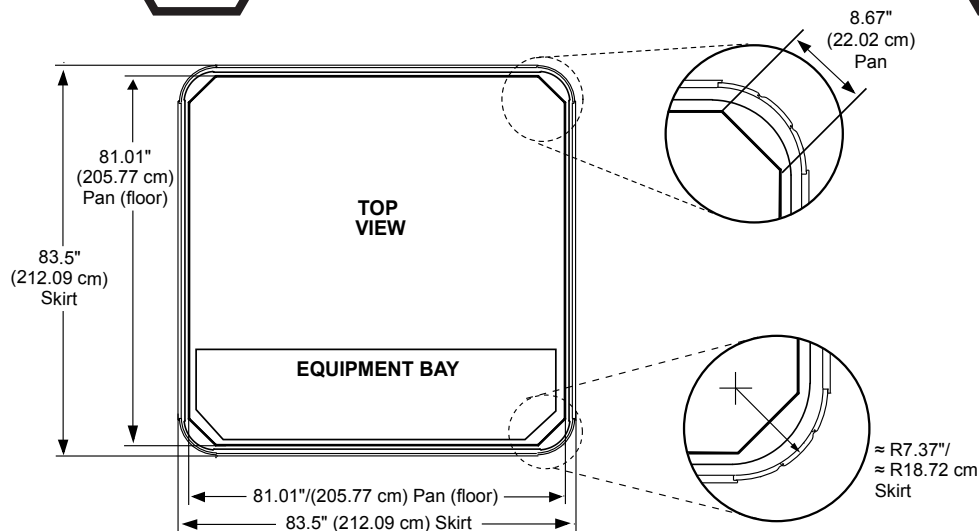


**RIGHT SIDE VIEW**

Tolerance:  $\pm 0.5"$  (1.27 cm)



**IMPORTANT! Always measure each hot tub for exact dimensions BEFORE designing its foundational support and/or decking.**



Dimensions/specifications subject to change without notice. Tolerance:  $\pm 0.5"$  (1.27 cm)

Dimensions/Specifications Subject To Change Without Notice