


# Sundance Spas 680 Edison®

## Specifications

<b>Dimensions:</b> .....	84" x 84" x 36" (213.5 cm x 213.5 cm x 91.44 cm)	
<b>Seating Capacity:</b> .....	6 Adults	
<b>Dry Weight:</b> .....	758 lbs (344 kg)	
<b>Filled Weight (Spa Volume):</b> .....	4,511 lbs (2,046 kg)	
<b>Filled Weight (Average Fill):</b> .....	3,677 lbs (1,668 kg)	
<b>Water Capacity (Spa Volume):</b> .....	450 US Gal (1,703 Liters)	
<b>Water Capacity (Average Fill):</b> .....	350 US Gal (1,325 Liters)	
<b>Controls:</b> .....	Solid-State Electronic Controls with LCD Readout, Programmable Water Temperature, Filtration, and Heat Cycles	
<b>Water Delivery:</b> .....	2 High-Flow Pump	
<b>Pump 1:</b> .....	North America (60 Hz): 2-Speed/2.5 HP Continuous, 11.0A Max., 56 Frame <b>Export (50 Hz): 2-Speed/2.0 HP continuous, 8.0A max.</b>	
<b>Pump 2:</b> .....	North America (60 Hz): 1-Speed/2.5 HP Continuous, 10A max., 56 Frame <b>Export (50 Hz): 1-Speed/2.0 HP continuous, 8.0A max.</b>	
<b>Total Hydrojets:</b> .....	<b>35</b>	
<b>Seat A Jets:</b> .....	3 DXL, 1 DVX	
<b>Seat B Jet:</b> .....	2 DL	
<b>Seat C Jets:</b> .....	2 DX, 4 DVR	
<b>Seat D Jet:</b> .....	2 DST	
<b>Seat E Jets:</b> .....	2 DX, 6 DL	
<b>Seat F Jet:</b> .....	1 DL, 4 DXL	
<b>Foot Well Jets (G):</b> .....	8 DL	
<b>Air Controls/Massage Selectors:</b> ...	3 Air Control; No Massage Selector	
<b>Filter:</b> .....	50 ft² Filter Cartridge System	
<b>Water Treatment:</b> .....	Factory installed CLEARRAY® Water Purification System	
<b>Lighting:</b> .....	CL Lighting LED System (Interior Surround)	
<b>Synthetic Cabinet:</b> .....	Available in Coastal, Mahogany, Autumn Walnut	
<b>Shell Colors:</b> .....	North America: Platinum, Celestite (Gypsum), Sahara, Oyster (Opal), Copper Sand, Monaco, Midnight, Caribbean Surf, Sandstone, Porcelain <b>Export (50 Hz): All North America colors</b>	
<b>Headrest:</b> .....	Four, 1-piece gray	
<b>Heater:</b> .....	North America (60 Hz): 5.5 kW 240V High Flow Standard <b>Export (50 Hz): 2.7 kW High Flow Standard</b>	
<b>Electrical Requirements:</b> .....	North America (60 Hz): 240 VAC@40A, 50A or 60A <b>Export (50 Hz): 230-240 VAC@1x20A or 1x32A, 2x16A or 1x16A/1x20A or 3x16A (see manual for more configurations); or Suitably Rated Circuit Breaker to Comply with Local Electrical Regulations. Certain Countries May Require 2 Power Inputs; Two GFCI/RCD Breakers are Required for This Configuration.</b>	
<b>Limited Warranty*:</b> .....	North America (60 Hz): 5 Years Shell, 3 Years Shell Surface, 3 Years Plumbing Component Leaks, 3 Years Equipment and Controls, 1 Year Cabinet, 1 Year Jets, 1 Year Stereo <b>Export (50 Hz): 5 Years Shell, 3 Years Shell Surface, 3 Years Plumbing Component Leaks, 3 Years Equipment and Controls, 1 Year Cabinet, 1 Year Jets, 2 Years Stereo</b>	
<b>Waterfall Feature:</b> .....	Variable Valve Control	
<b>Audio System (Optional):</b> .....	Factory Installed BLUEWAVE® Spa Stereo System (Bluetooth®/Aux compatible only) with four speakers	
<b>Speical Features (Optional):</b> .....	Factory Installed SmartTub™ module	

\*(See Warranty Document for Specific Details)

Dimensions/Specifications Subject To Change Without Notice

# Sundance Spas 680 Edison

## Operation/Seat Depths



- (A)** Air control - Activates Seat A Jets (1 DVX, 3 DXL) + Footwell Jets (2 DL)
  - (B)** Waterfall Selector [Pump 1] - Controls Waterfall Output
  - (C)** Air Control - Activates Seat D Jets (2 DST, 3 DXL) + Footwell Jets (2 DL)
  - (D)** Air Control - Activates Seat C Jets (2 DX, 4 DVR) + Seat F Jet (1 DL, 4 DXL) + Footwell Jets (4 DL)
- Jets Pump 1: Powers Seat A Jets + Seat D Jets + Seat E + Footwell Jets (qty 4) + Waterfall when running
  - Jets Pump 2: Seat C Jets + Seat F Jets + Footwell Jets (qty 4) when running

### 35 Total Jets



Spa Operation Subject To Change Without Notice

## SEAT DEPTHS

**A = 25.38" (64.45 cm)**  
**B = 25.00" (63.50 cm)**  
**C = 26.25" (66.68 cm)**  
**D = 22.00" (55.88 cm)**  
**E = 25.63" (65.09 cm)**  
**F = 20.63" (52.39 cm)**

**G = 26.63" (67.63 cm)**  
**H = 16.00" (40.64 cm)**  
**H = 31.88" (80.96 cm)**

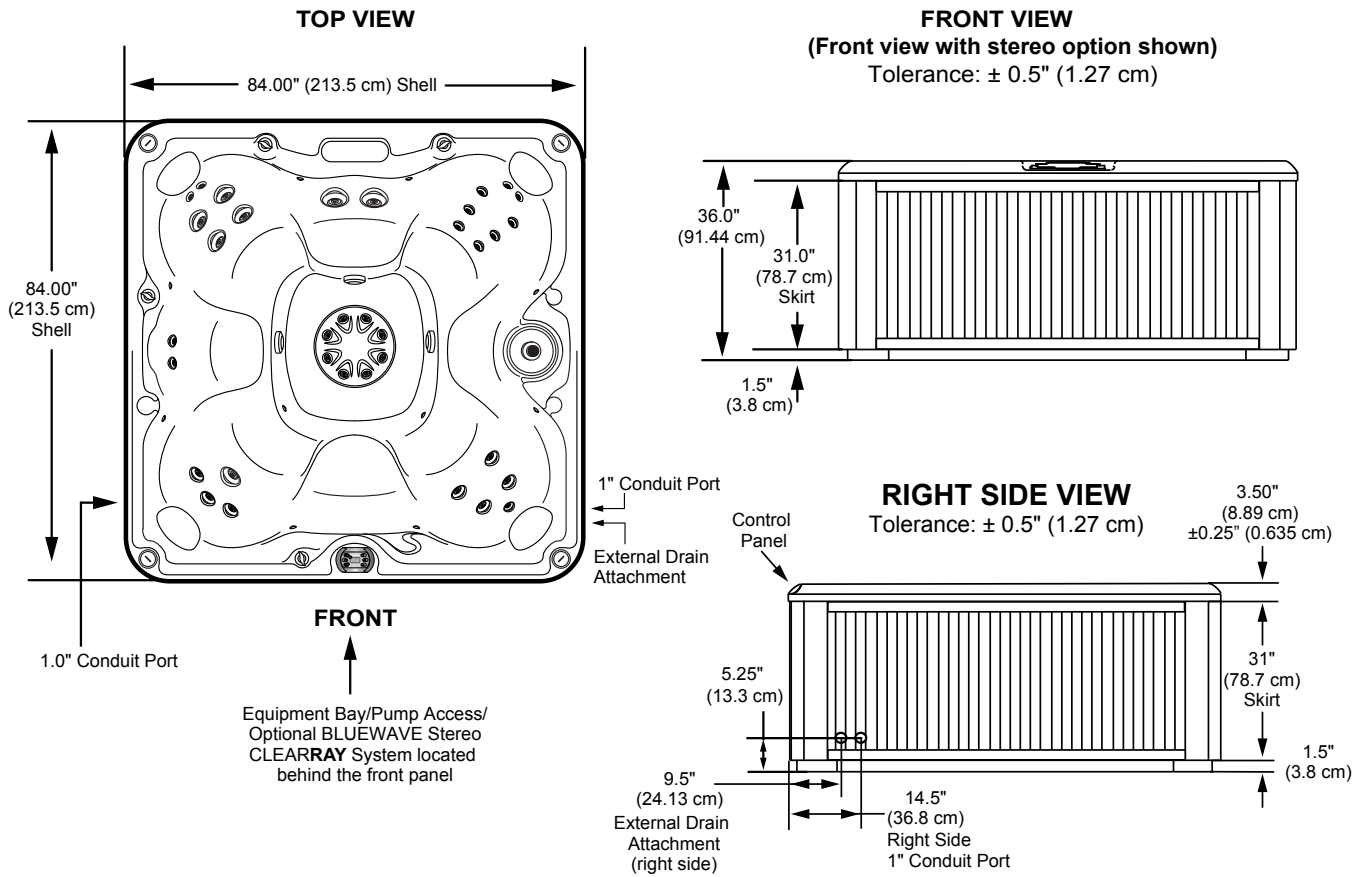
Listed dimensions represent distance from top of acrylic to lowest point in seat. **Tolerance ± 0.5" (1.27 cm).**



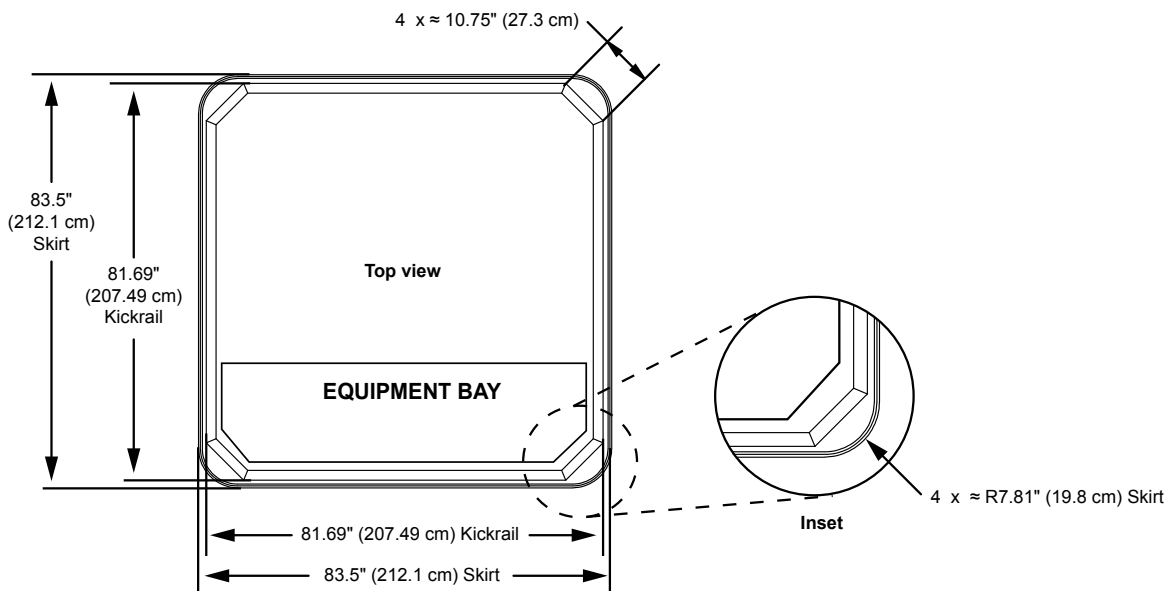
Dimensions/Specifications Subject To Change Without Notice

# Sundance Spas 680 Edison

## Portable Dimensions



**IMPORTANT! Always measure each hot tub for exact dimensions BEFORE designing its foundational support and/or decking.**



Dimensions/Specifications Subject To Change Without Notice