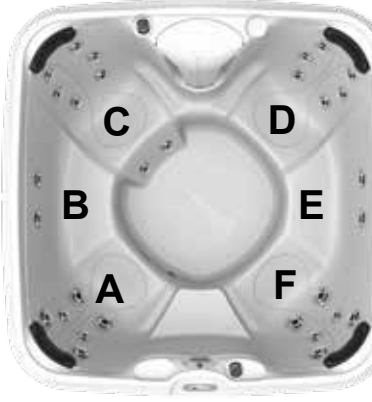


Sundance® Splash™ Brook™ 30 Jets

Specifications

| | | |
|--|---|---|
| Seating Capacity | 7 Adults |  |
| Dimensions | 78" x 78" x 36" (198 cm x 198 cm x 91 cm); | |
| Dry Weight | 414 lbs (187 kg) | |
| Filled Weight (Spa Volume) | 4,117 lbs (1,867 kg) | |
| Filled Weight (Average Fill) | 3,150 lbs (1,429 kg) | |
| Water Capacity (Spa Volume) | 444 US gallons (1,681 Liters) | |
| Water Capacity (Average Fill) | 328 US gallons (1,242 Liters) | |
| Electronic Controls | Digital Touch Controller. Offers customizing of cleaning cycles and water temperature setting. | |
| Pump 1 | North America (60 Hz): 2-Speed, 3.0 HP continuous Export (50 Hz): 2 kW, 2-Speed | |
| Pump 2 | N/A Export (50 Hz): N/A | |
| Circulation Pump | N/A | |
| Total Jets | 30 | |
| Seat A Jets | 4 DirectionalMax1 Jets, 2 DirectionalMax2 Jets | |
| Seat B Jets | 2 DirectionalMax1 Jets | |
| Seat C Jets | 8 DirectionalMax2 Jets | |
| Seat D Jets | 6 DirectionalMax2 Jets | |
| Seat E Jets | 2 DirectionalMax1 Jets | |
| Seat F Jets | 4 DirectionalMax1 Jets, 2 DirectionalMax2 Jets | |
| Massage Selectors | N/A | |
| Air Controls | 2 | |
| Water Management System | One Easy Klean 30 ft ² filter cartridge; Optional factory installed Ozone Export (50 Hz): Optional factory installed Ozone | |
| LED Lighting | Multicolor waterfall light; Exterior corner light (white color only) | |
| Shell/Cabinet Colors | Mystic Sparkle, Tuscan Sparkle, Night Sparkle, Glacier Sparkle | |
| Headrests | 4 | |
| Waterfalls | One with independent flow rate (on or off) adjustment; powered by pump 1 | |
| Heater: | Hi Flow 1.0kW/4kW Export (50 Hz): Hi Flow 3.0kW | |
| Electrical Requirements: | North America (60 Hz): Convertible 120 VAC@15A Export (50 Hz): 230-240V@1x16A, 1X32A | |
| Warranty* | North America (60 Hz): 5 Years Shell, 5 Years Shell Surface, 2 Years Plumbing Component Leaks, 2 Years Equipment and Controls, 5 Years Cabinet, 2 Years Jets, 1 Year Lights; Export (50 Hz): 5 Years Shell, 5 Years Shell Surface, 2 Years Plumbing Component Leaks, 2 Years Equipment and Controls, 2 Years Cabinet, 2 Years Jets, 2 Years Lights; | |
| Special Features | N/A | |

*(See Warranty Document for Specific Details)

Dimensions/Specifications Subject To Change Without Notice

Sundance Splash Brook 30 Jets

Operation/Seat Depths



- (A) Topside Control - Activate Jet Pump, Light and Control Water Temperature
 - (B) Water Feature Control - Controls Water Feature Output.
 - (C) Air Control - Activates Seat A Jets (4 DirectionalMax1 Jets, 2 DirectionalMax2 Jets), Seat B Jets (2 DirectionalMax1 Jets), Seat C Jets (8 DirectionalMax2 Jets)
 - (D) Air Control - Activates Seat D Jets (6 DirectionalMax2 Jets), Seat E Jets (2 DirectionalMax1 Jets), Seat F Jets (4 DirectionalMax1 Jets, 2 DirectionalMax2 Jets)
- Jet Pump 1: All seats and footwell jets

30 Total Jets

DirectionalMax1
Jets (12)



DirectionalMax2
Jets (18)



Spa Operation Subject To Change Without Notice

SEAT DEPTHS

- A = 26.50" (67.30 cm)
- B = 24.75" (62.86 cm)
- C = 28.00" (71.12 cm)
- D = 28.00" (71.12 cm)
- E = 24.75" (62.86 cm)
- F = 26.50" (67.30 cm)
- G = 20.00" (50.80 cm)
- H = 34.50" (87.63 cm)

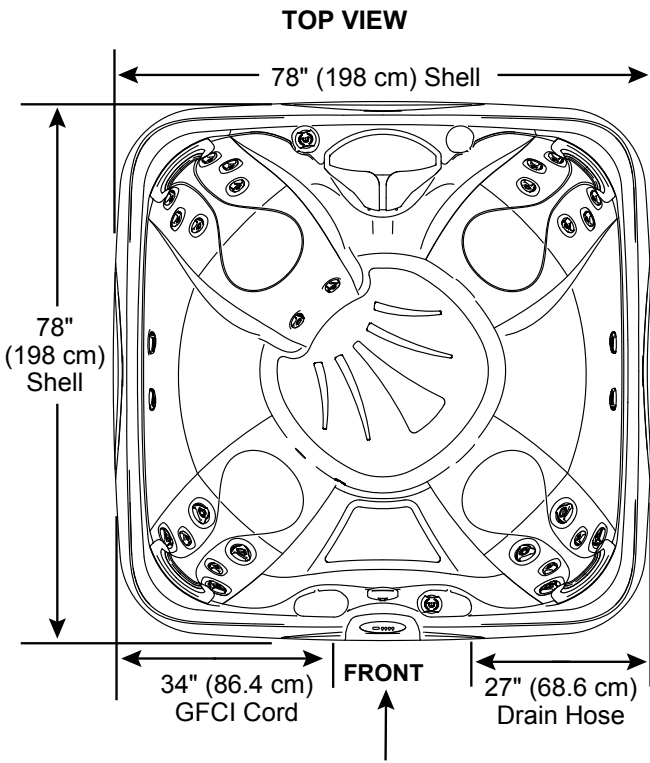
Listed dimensions represent distance from top of spa to lowest point in seat.
Tolerance: ± 0.5" (1.27 cm)



Dimensions/Specifications Subject To Change Without Notice

Sundance Splash Brook 30 Jets

Portable Dimensions



Behind the cabinet
Equipment Bay/Pump Access

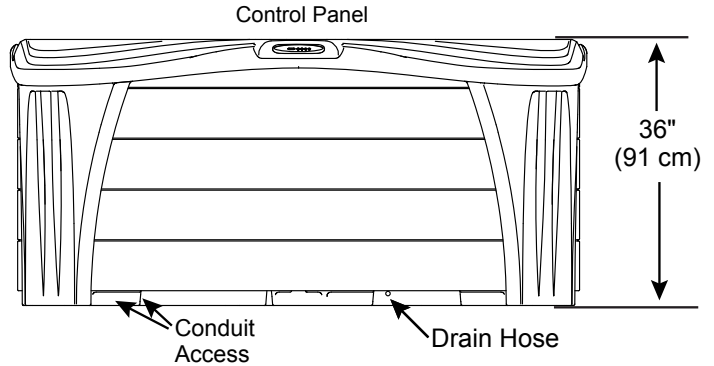


IMPORTANT! Always measure each hot tub for exact dimensions BEFORE designing its foundational support and/or decking.



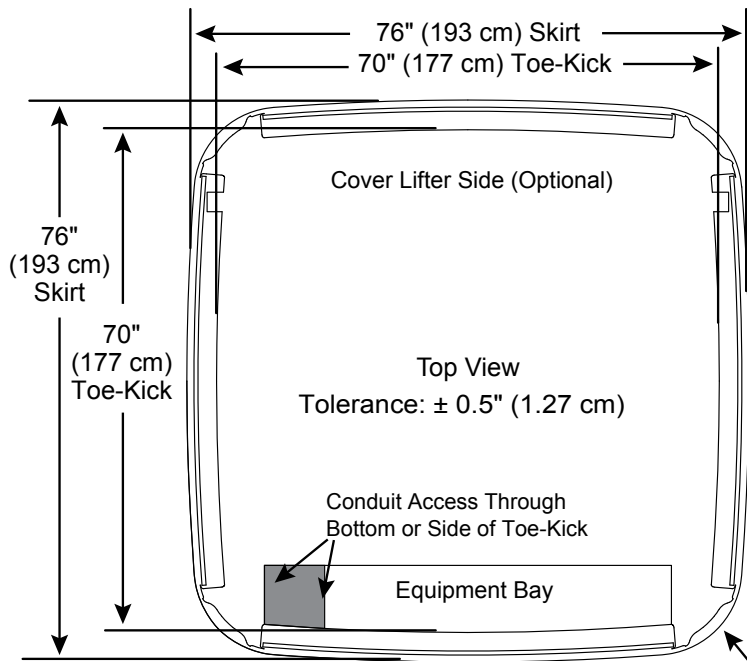
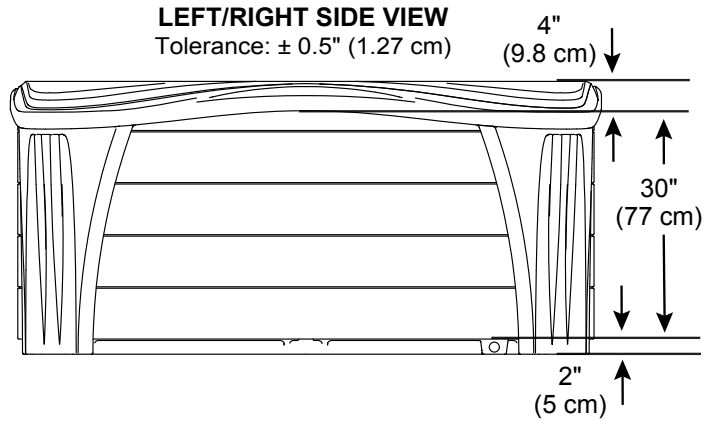
FRONT VIEW

Tolerance: $\pm 0.5"$ (1.27 cm)



LEFT/RIGHT SIDE VIEW

Tolerance: $\pm 0.5"$ (1.27 cm)



4 x $\approx R12.0"$
($\approx R30.5$ cm) Shell

Dimensions/specifications subject to change without notice. Tolerance: $\pm 0.5"$ (1.27 cm)

Dimensions/Specifications Subject To Change Without Notice