


Sundance® Spas 680 Prado™

Specifications

Dimensions	80" x 80" x 33" (203 cm x 203 cm x 84 cm)	
Perimeter	320" (812.8 cm)	
Seating Capacity	4-5 Adults	
Dry Weight	603 lbs (274 kg)	
Filled Weight (Spa Volume)	3,731 lbs (1,692 kg)	
Filled Weight (Average Fill)	2,8597 lbs (1,314 kg)	
Water Capacity (Spa Volume)	375 US gallons (1,420 Liters)	
Water Capacity (Average Fill)	275 US gallons (1,041 Liters)	
Electronic Controls	Solid state electronic controls with LCD readout, programmable temperature, filtration, and heat cycles	
Pump 1	North America (60 Hz): 2-Speed, 2.5 HP brake, 1.5 HP continuous, 48 Frame Export (50 Hz): 2-Speed, 2.0 HP continuous	
Total Hydrojets:	26	
Seat A Jets:	3 - SL3 Directional, 1 - SL5R Rotational	
Seat B Jets:	2 - SLR Rotational, 1 - SL3 Directional, 8 - SL Directional	
Seat C Jet:	1 - SL3R Rotational	
Seat D Jets:	6 - SL3 Directional	
Seat E Jets:	4 - SL3R Rotational	
Air Controls/Massage Selectors:	2/None	
Filter:	75 ft ² MicroClean® Mini™ Filter Cartridge System	
Water Treatment:	Factory installed CLEARRAY® unit	
Lighting:	LED Lighting System (Interior Surround); 2 Standard Exterior Lights	
Cabinet:	Available in Slate, Graphite	
Shell Colors:	North America: Platinum, Celestite (Gypsum), Monaco, Midnight, Porcelain Export (50 Hz): All North America colors	
Headrest:	Four, 1-piece gray	
Heater:	North America (60 Hz): High Flow, 1 kW@120 VAC or Convertible to 4 kW@240 VAC; Export (50 Hz): High Flow, 2.7 kW	
Electrical Requirements:	North America Convertible Model (60 Hz): 120 VAC@15A with Supplied GFCI Cord or 240 VAC@30A or 40A (Hard Wired Only); Export (50 Hz): 230-240 VAC@1x16A, 1x32A or 2 out of 3-phase (see manual); or Suitably Rated Circuit Breaker to Comply with Local Electrical Regulations. Certain Countries May Require 2 Power Inputs; Two GFCI/RCD Breakers are Required for This Configuration.	
Limited Warranty*:	North America (60 Hz): 5 Years Shell, 3 Years Shell Surface, 3 Years Plumbing Component Leaks, 3 Years Equipment and Controls, 1 Year Cabinet, 1 Year Jets Export (50 Hz): 5 Years Shell, 3 Years Shell Surface, 3 Years Plumbing Component Leaks, 3 Years Equipment and Controls, 1 Year Cabinet, 1 Year Jets	
Alternative Insulation (Standard):	Yes (Insulation Panels)	
Waterfall Feature:	None	
Audio System (Optional):	N/A	
Special Features (Optional):	Factory Installed SmartTub® module	

*(See Warranty Document for Specific Details)

Dimensions/Specifications Subject To Change Without Notice

Sundance Spas 680 Prado

Operation/Seat Depths



(A) Air control - Activates Seat A Jets (3 - SL3, 1 - SL5R) + Seat B Jets (1 - SLR, 1 - SL3, 8 - SL) + Seat C Jet (1 - SL3R)

(B) Air control - Activates Seat D Jets (6 - SL3) + Seat E Jets (4 - SL3R)

• Jets Pump 1: Powers All Jets when running

26 Total Jets (Stainless Steel Escutcheons Standard)



SL Jets (8)



SLR Jets (2)



SL3 Jets (10)



SL3R Jets (5)



SL5R Jet (1)

Spa Operation Subject To Change Without Notice

SEAT DEPTHS

A = 23.50" (59.69 cm)

B = 20.75" (52.71 cm)

C = 25.00" (63.50 cm)

D = 22.00" (55.88 cm)

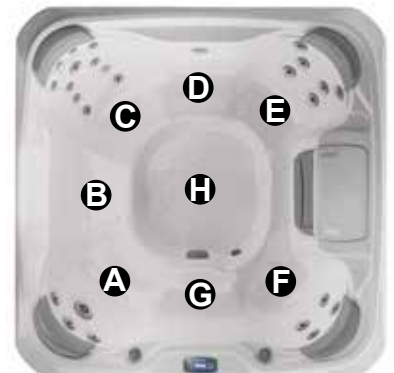
E = 25.50" (64.77 cm)

F = 23.75" (60.33 cm)

G = 21.75" (55.25 cm)

H = 30.00" (76.20 cm)

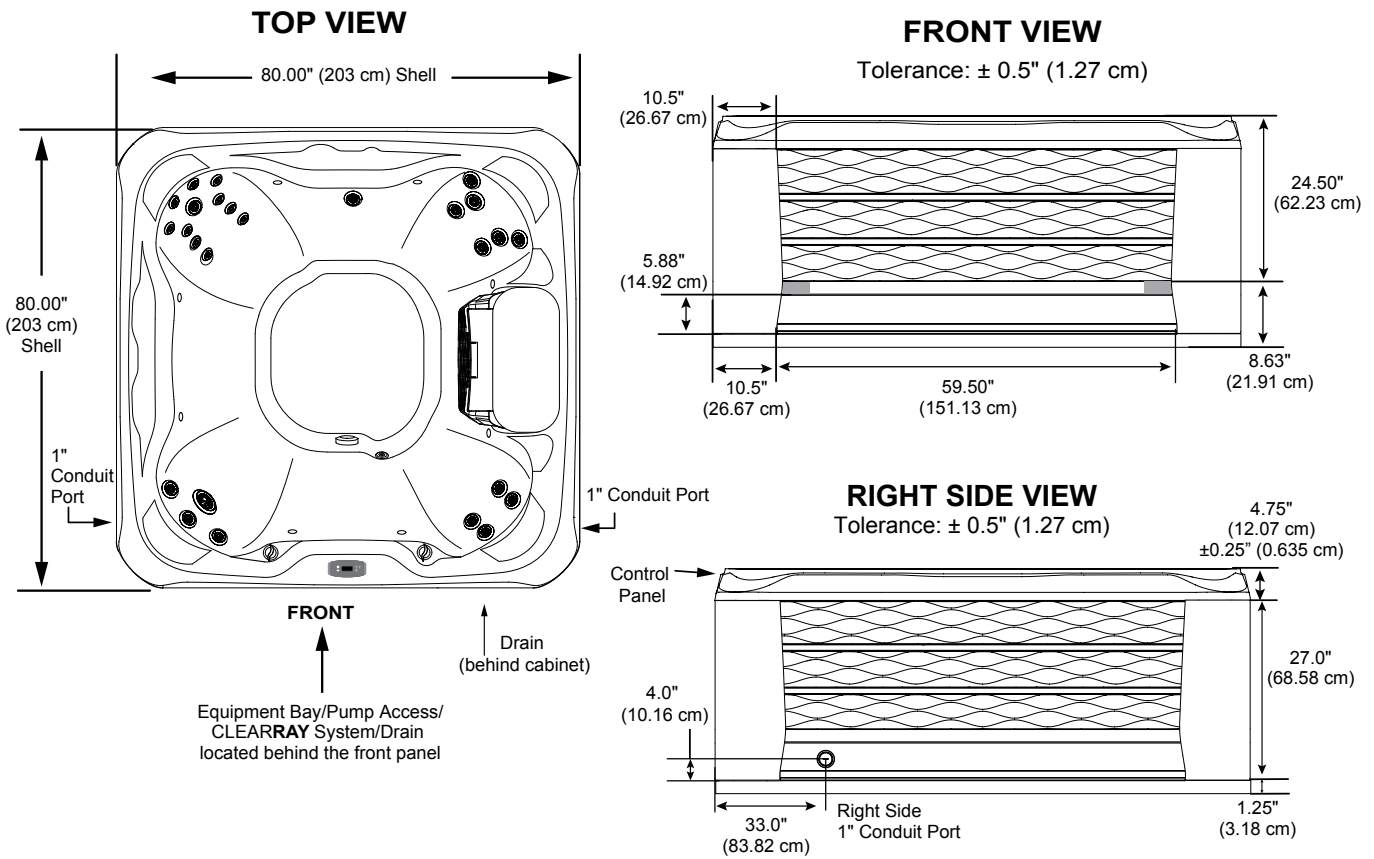
Listed dimensions represent distance from top of acrylic to lowest point in seat. Tolerance $\pm 0.5"$ (1.27 cm).



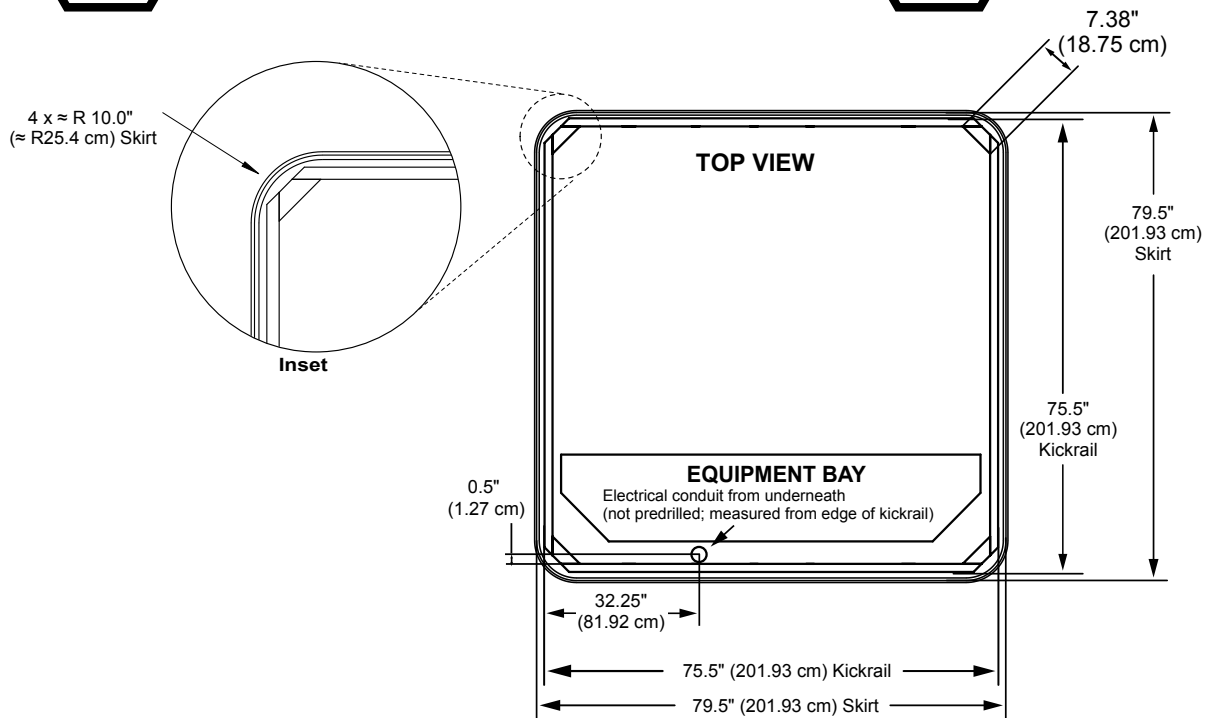
Dimensions/Specifications Subject To Change Without Notice

Sundance Spas 680 Prado

Portable Dimensions



IMPORTANT! Always measure each hot tub for exact dimensions BEFORE designing its foundational support and/or decking.



Dimensions/Specifications Subject To Change Without Notice