

Sundance® Spas 680 Ramona™

Specifications

<p>Dimensions:.....89" x 89" x 36" (226 cm x 226 cm x 91.44 cm)</p> <p>Perimeter.....356" (904.2 cm)</p> <p>Seating Capacity:.....5-6 Adults</p> <p>Dry Weight:.....791 lbs (359 kg)</p> <p>Filled Weight (Spa Volume):.....5,044 lbs (2,288 kg)</p> <p>Filled Weight (Average Fill):.....3,960 lbs (1,796 kg)</p> <p>Water Capacity (Spa Volume):.....510 US Gal (1,931 Liters)</p> <p>Water Capacity (Average Fill):.....380 US Gal (1,438 Liters)</p> <p>Controls:.....Solid-State Electronic Controls with LCD Readout, Programmable Water Temperature, Filtration, and Heat Cycles</p> <p>Water Delivery:.....2 High Flow Pumps</p> <p>Pump 1:.....North America (60 Hz): 2-Speed/2.5 HP Continuous, 11.0A Max., 56 Frame Export (50 Hz): 2-Speed/2.0 HP continuous, 8.0A max.</p> <p>Pump 2:.....North America (60 Hz): 1-Speed/2.5 HP Continuous, 10.0A Max., 56 Frame Export (50 Hz): 1-Speed/2.0 HP continuous, 8.0A max.</p> <p>Optional Pump 3:.....N/A</p> <p>Total Hydrojets:.....38</p> <p>Seat A Jets:.....4 - SL3R Rotational, 2 - SL5R Rotational</p> <p>Seat B Jets:.....2 - SL3R Rotational</p> <p>Seat C Jets:.....8 - SL Directional, 8 - SL3 Directional</p> <p>Seat D Jet:.....1 - SL5 Directional</p> <p>Seat E Jets:.....2 - SL Directional, 8 - SLR Rotational, 1 - SL3 Directional</p> <p>Foot Well Jets (F):.....2 - SL3 Directional</p> <p>Air Controls/Massage Selectors:...2/None</p> <p>Filter:.....75 ft² MicroClean® Mini™ Filter Cartridge System</p> <p>Water Treatment:.....Factory installed CLEARRAY® unit</p> <p>Lighting:.....LED Lighting System (Interior Surround); 2 Standard Exterior Lights</p> <p>Cabinet:.....Available in Slate, Graphite</p> <p>Shell Colors:.....North America: Platinum, Celestite, Monaco, Midnight, Porcelain Export (50 Hz): All North America Colors</p> <p>Headrest:.....Three, 1-Piece Gray</p> <p>Heater:.....North America (60 Hz): 5.5 kW, High Flow Standard Export (50 Hz): 2.7 kW, High Flow Standard</p> <p>Electrical Requirements:.....North America (60 Hz): 240 VAC, 60 Hz@40A, 50A or 60A; Export (50 Hz): 230-240 VAC@1x16A, 1x32A or 2 out of 3-phase (see manual); or Suitably Rated Circuit Breaker to Comply with Local Electrical Regulations. Certain Countries May Require 2 Power Inputs; Two GFCI/ RCD Breakers are Required for This Configuration.</p> <p>Limited Warranty*:.....North America (60 Hz): 5 Years Shell, 3 Years Shell Surface, 3 Years Equipment and Controls, 3 Years Plumbing Component Leaks, 1 Year Cabinet, 1 Year Jets Export (50 Hz): 5 Years Shell, 3 Years Shell Surface, 3 Years Plumbing Component Leaks, 3 Years Equipment and Controls, 1 Year Cabinet, 1 Year Jets</p> <p>Alternative Insulation (Standard):..Yes (Insulation Panels)</p> <p>Waterfall Feature:.....None</p> <p>Audio System (Optional):.....N/A</p> <p>Special Features (Optional):.....Factory Installed SmartTub® module</p>	
---	---

*(See Warranty Document for Specific Details)

Dimensions/Specifications Subject To Change Without Notice

Sundance Spas 680 Ramona

Operation/Seat Depths



(A) Air Control - Activates Seat A Jets (4 - SL3R, 2 - SL5R) + Seat B Jets (2 - SL3R) + Seat E Jets (2 - SL, 8 - SLR, 1 - SL3) + Footwell Jets (2 - SL3)

(B) Air Control - Activates Seat C Jets (8 - SL, 8 - SL3) + Seat D Jet (1 - SL5)

- Jets Pump 1: Powers Seat A Jets + Seat B Jets + Seat E Jets + Footwell Jets when running

- Jets Pump 2: Powers Seat C Jets + Seat D Jets when running

38 Total Jets (Stainless Steel Escutcheons Standard)



Spa Operation Subject To Change Without Notice

SEAT DEPTHS

A = 27.00" (66.58 cm)

B = 23.00" (58.42 cm)

C = 25.25" (64.14 cm)

D = 22.50" (57.15 cm)

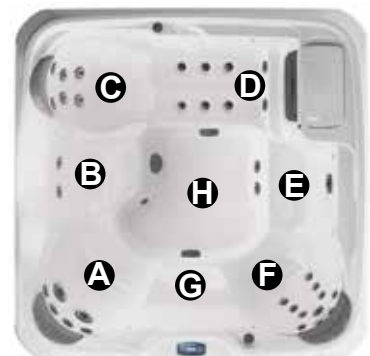
E = 23.00" (58.42 cm)

F = 27.00" (68.58 cm)

G = 20.00" (50.80 cm)

H = 30.00" (76.20 cm)

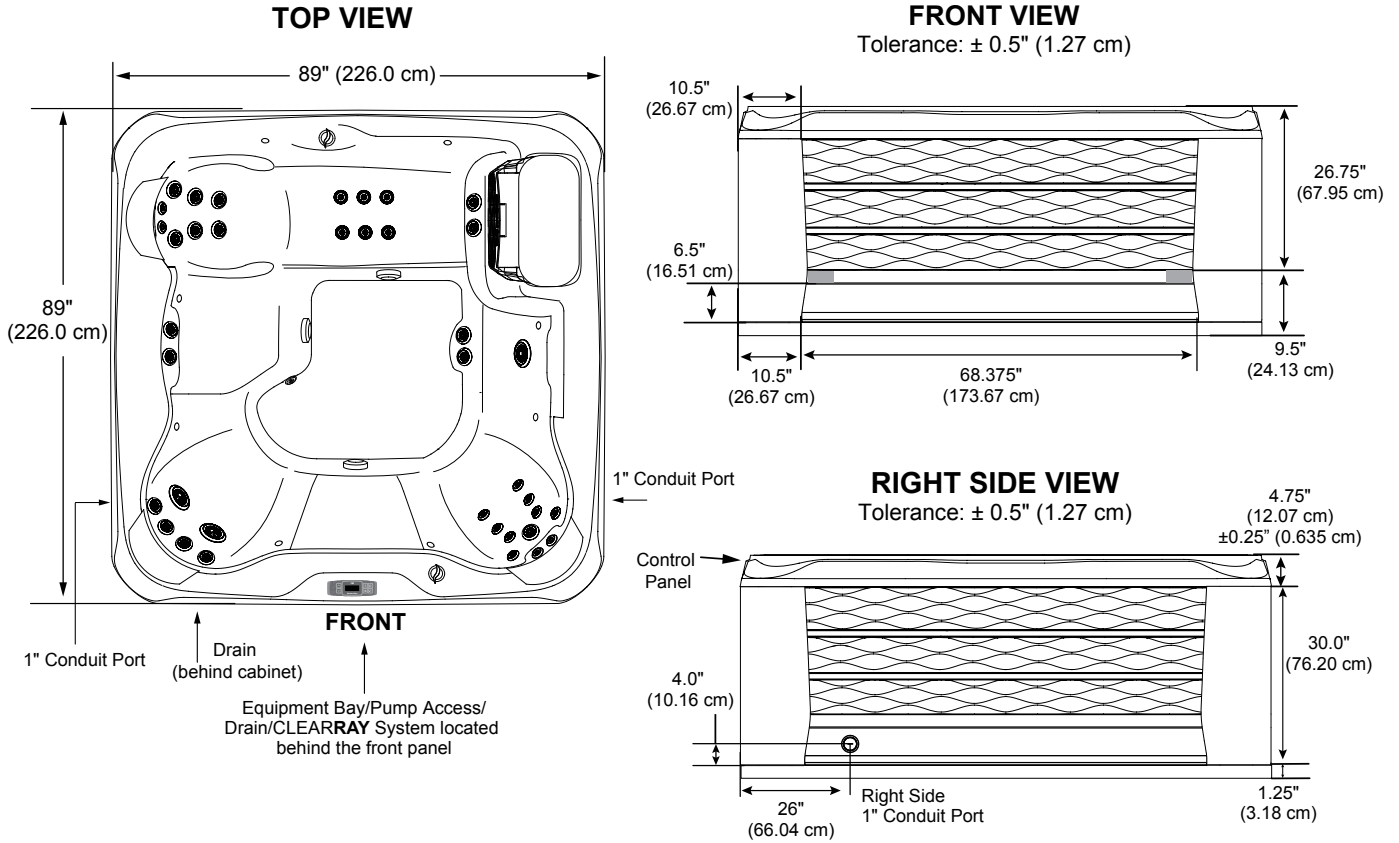
Listed dimensions represent distance from top of acrylic to lowest point in seat. **Tolerance ± 0.5" (1.27 cm).**



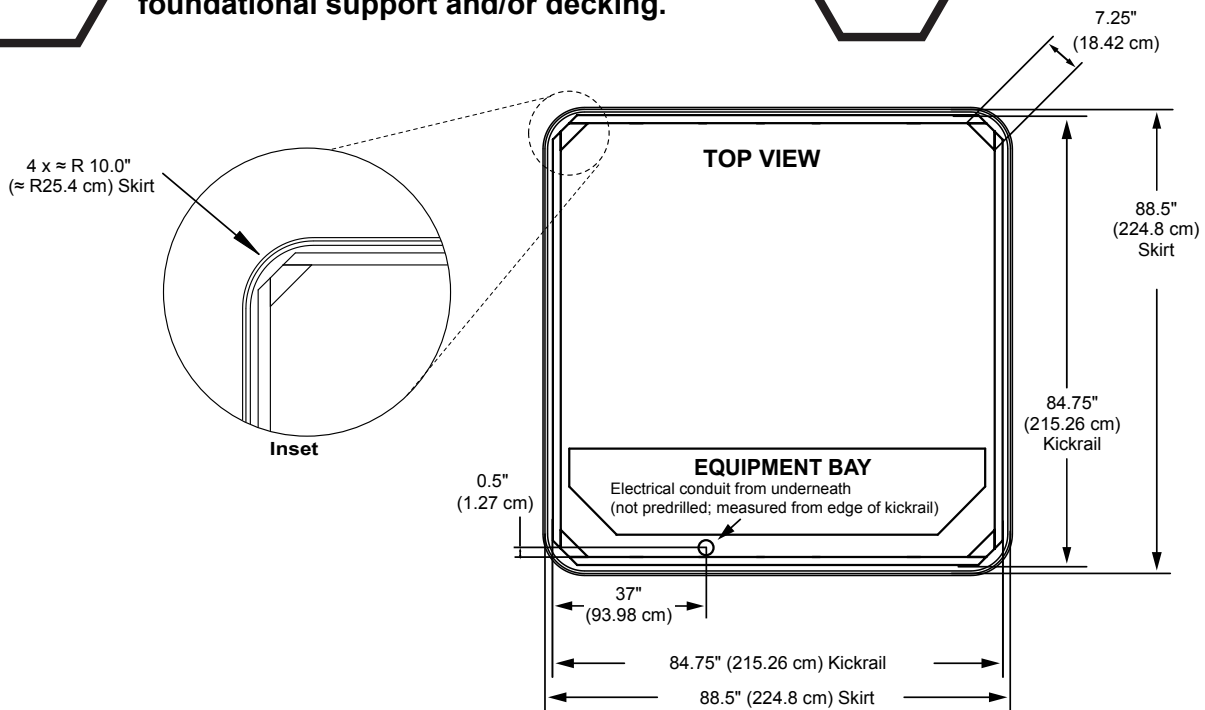
Dimensions/Specifications Subject To Change Without Notice

Sundance Spas 680 Ramona

Portable Dimensions



IMPORTANT! Always measure each hot tub for exact dimensions **BEFORE** designing its foundational support and/or decking.



Dimensions/specifications subject to change without notice. Tolerance: $\pm 0.5"$ (1.27 cm)

Dimensions/Specifications Subject To Change Without Notice