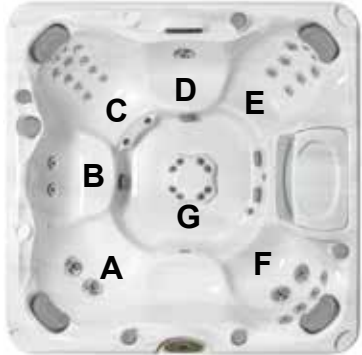


Sundance® Spas 780 Chelsee®

Specifications

| | | |
|--|---|---|
| Dimensions: | 89" x 89" x 38" (226 cm x 226 cm x 96.52 cm) |  |
| Perimeter | 356" (904.2 cm) | |
| Seating Capacity: | 6-7 Adults | |
| Dry Weight: | 873 lbs (396 kg) | |
| Filled Weight (Spa Volume): | 5,210 lbs (2,363 kg) | |
| Filled Weight (Average Fill): | 4,209 lbs (1,909 kg) | |
| Water Capacity (Spa Volume): | 520 US Gal (1,968 Liters) | |
| Water Capacity (Average Fill): | 400 US Gal (1,514 Liters) | |
| Controls: | 780 Series Solid-State Electronic Controls with LCD Readout, Programmable Water Temperature, Filtration, and Heat Cycles | |
| Water Delivery: | 2 High Flow Pumps | |
| Pump 1: | North America (60 Hz): 1-Speed/2.5 HP Continuous, 12.0A Max., 56 Frame Export (50 Hz): 1-Speed/2.0 HP Continuous, 8.0A Max. | |
| Pump 2: | North America (60 Hz): 1-Speed/2.5 HP Continuous, 11.0A Max., 56 Frame Export (50 Hz): 1-Speed/2.0 HP Continuous, 7.0A Max. | |
| Pump 3: | 24 Hour Programmable Circ Pump, 8 Hour Factory Default | |
| Total Hydrojets: | 40 | |
| Seat A Jets: | 2 Vortex | |
| Seat B Jets: | 2 SMT Fluidix | |
| Seat C Jets: | 4 SMT Micro, 9 Accu-Pressure | |
| Seat D Jets: | 1 Vortex | |
| Seat E Jets: | 2 SMT Micro, 6 SMT Fluidix | |
| Seat F Jets: | 4 Mini-Vortex, 2 Vortex | |
| Footwell Jets (G): | 8 Adjustable Accu-Pressure | |
| Air Controls/Massage Selectors: | 4/1 Standard air control with LED lights | |
| Filter: | MicroClean® I Filtration System with Floating Weir, 125 ft ² combined filtration (1 pleated and 1 spun-bound cartridge) | |
| Water Treatment: | 8-Hour Circulation Pump; Factory installed CLEARARRAY Active Oxygen™ Clear Water System | |
| Lighting: | Standard Multi-Colored SunRay LED Light; 7 LED Pin Lights; Indicator light; Air controls and Exterior Lights (4 stainless steel lights on front cabinet) | |
| Synthetic Cabinet: | Available in Modern Hardwood, Brushed Gray and Vintage Oak | |
| Shell Colors: | North America: Platinum, Celestite, Monaco, Midnight, Porcelain Export (50 Hz): All North America Colors | |
| Handrails: | N/A | |
| Headrests: | Four, 1-Piece Gray | |
| Heater: | North America (60 Hz): 5.5 kW, High Flow Export (50 Hz): High Flow, 2.7 kW | |
| Electrical Requirements: | North America (60 Hz): 240 VAC@40A, 50A, or 60A; Export (50 Hz): 230-240 VAC@1x20A, 1x16A/1x20A, or 3x16A (see manual for more configurations); or Suitably Rated Circuit Breaker to Comply with Local Electrical Regulations. Certain Countries May Require Dual Power Inputs; Two GFCI/RCD Breakers are Required for This Configuration. | |
| Limited Warranty*: | North America (60 Hz): 10 Years Shell, 7 Years Shell Surface, 5 Years for Plumbing Component Leaks, 5 Years Equipment and Controls, 5 Years Cabinet, 2 Years Jets, 2 Years Lights, 1 Year Stereo Export (50 Hz): 10 Years Shell, 7 Years Shell Surface, 5 Years Plumbing, 5 Years Equipment and Controls, 5 Years Cabinet, 2 Years Jets, 2 Years Lights, 2 Years Stereo | |
| Waterfall Feature: | On/Off Flow Rate; Colored Lighting | |
| Audio System (Optional): | Factory Installed BLUEWAVE® Spa Stereo System with an Auxiliary 3.5 mm headphone jack connection and Bluetooth® compatible | |
| Special Features (Optional): | Factory Installed SmartTub® module | |

*(See Warranty Document for Specific Details)

Dimensions/Specifications Subject To Change Without Notice

Sundance Spas 780 Chelsee

Operation/Seat Depths



- (A)** Air Control - Activates Seat A Jets (2 Vortex) + Seat B Jets (2 SMT Fluidix) + Footwell Jets (2 Adjustable Accu-Pressure)
- (B)** Massage Selector [Pump 1]- Adjusts Massage Level Between Seat C Jets + Footwell Jets (2 Adjustable Accu-Pressure) and Seat F Jets + Footwell Jets (2 Adjustable Accu-Pressure)
- (C)** Air Control - Activates Seat C Jets (4 SMT Micro, 9 Accu-Pressure) + Footwell Jets (2 Adjustable Accu-Pressure)
- (D)** Air Control - Activates Seat D Jet (1 Vortex) + Seat E (2 SMT Micro, 6 SMT Fluidix) + Footwell Jets (2 Adjustable Accu-Pressure)
- (E)** Air Control - Activates Seat F Jets (2 Vortex, 2 Mini-Vortex) + Footwell Jets (2 Adjustable Accu-Pressure)
- (F)** Waterfall Selector [8-Hour Circ. Pump] - Controls Waterfall Output

- Jets Pump 2: Seat A Jets + Seat B Jets + Seat D + Seat E Jets + 4 Footwell Jets are always on when this pump is running

40 Total Jets (Stainless Steel Escutcheons Standard)



Spa Operation Subject To Change Without Notice

SEAT DEPTHS

- A = 25.38" (64.47 cm)**
- B = 21.75" (55.25 cm)**
- C = 27.50" (69.85 cm)**
- D = 21.50" (54.61 cm)**
- E = 25.50" (64.77 cm)**
- F = 24.00" (60.96 cm)**
- G = 18.25" (46.36 cm)**
- H = 29.88" (75.88 cm)**

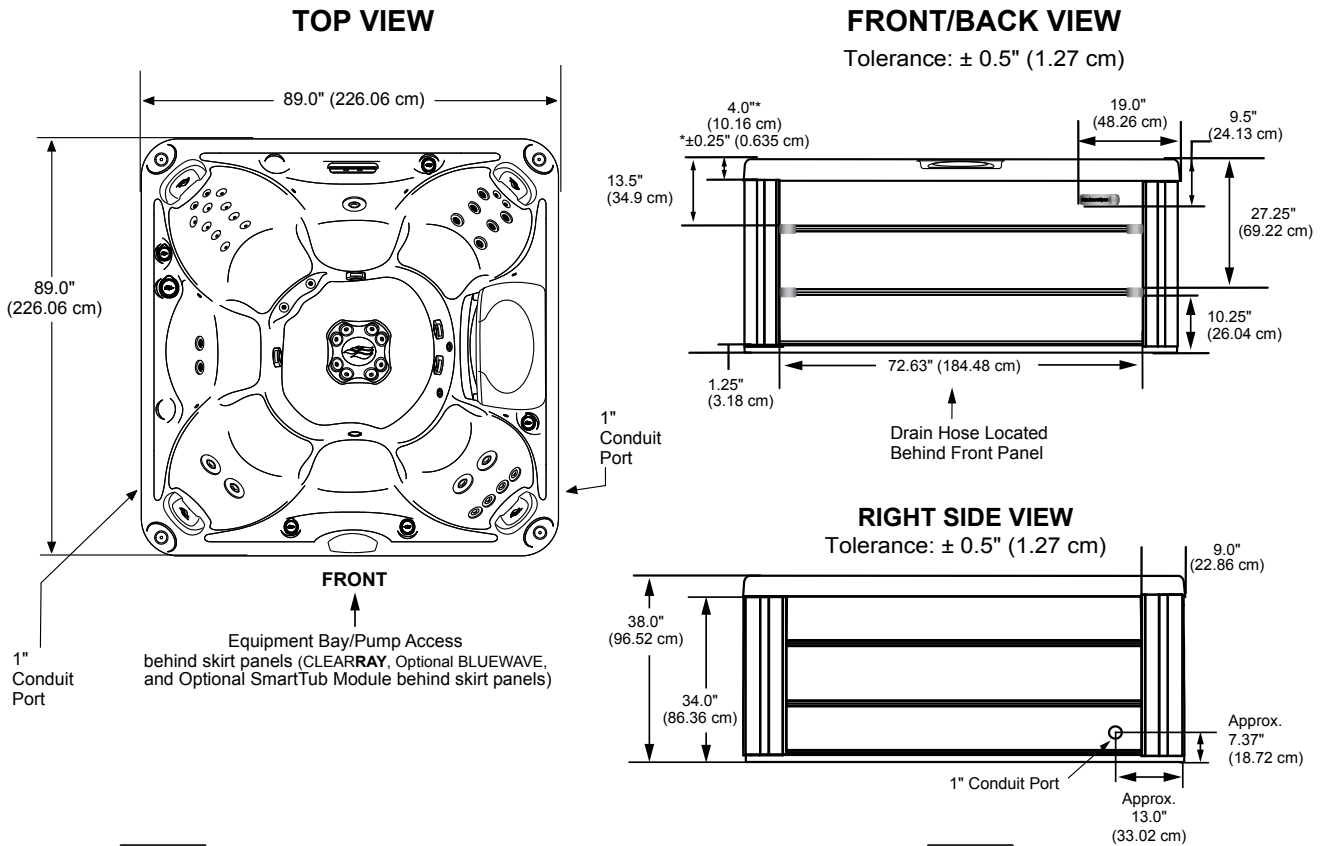
Listed dimensions represent distance from top of acrylic to lowest point in seat. **Tolerance ± 0.5" (1.27 cm).**



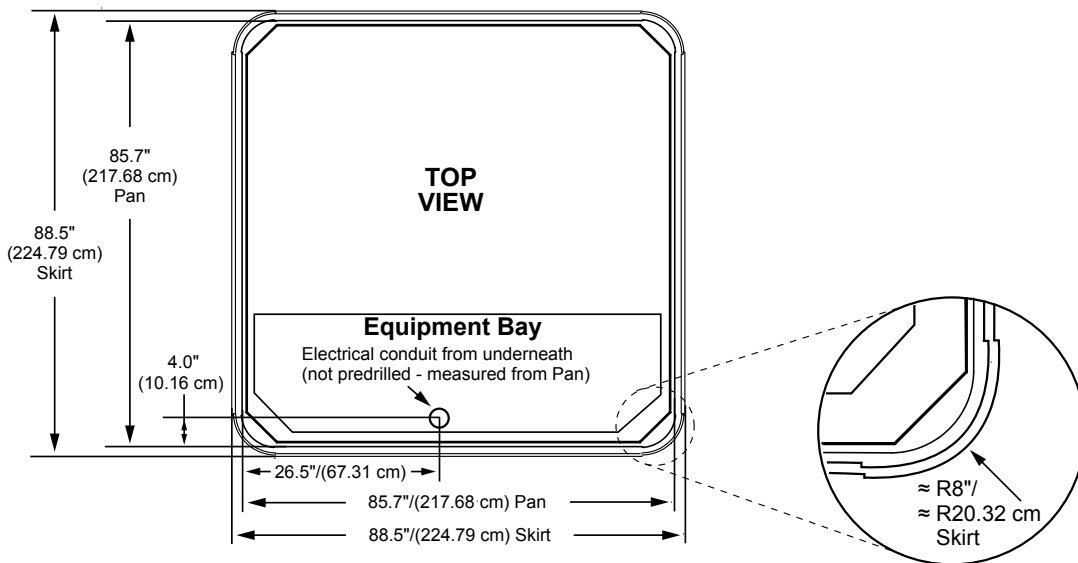
Dimensions/Specifications Subject To Change Without Notice

Sundance Spas Chelsee

Portable Dimensions



IMPORTANT! Always measure each hot tub for exact dimensions BEFORE designing its foundational support and/or decking.



Dimensions/specifications subject to change without notice. Tolerance: $\pm 0.5"$ (1.27 cm)

Dimensions/Specifications Subject To Change Without Notice