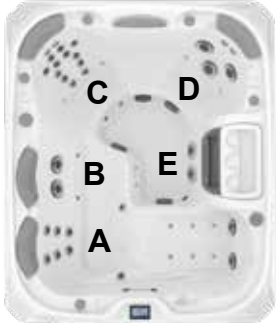


# Sundance® Spas 880 Marin®

## Specifications

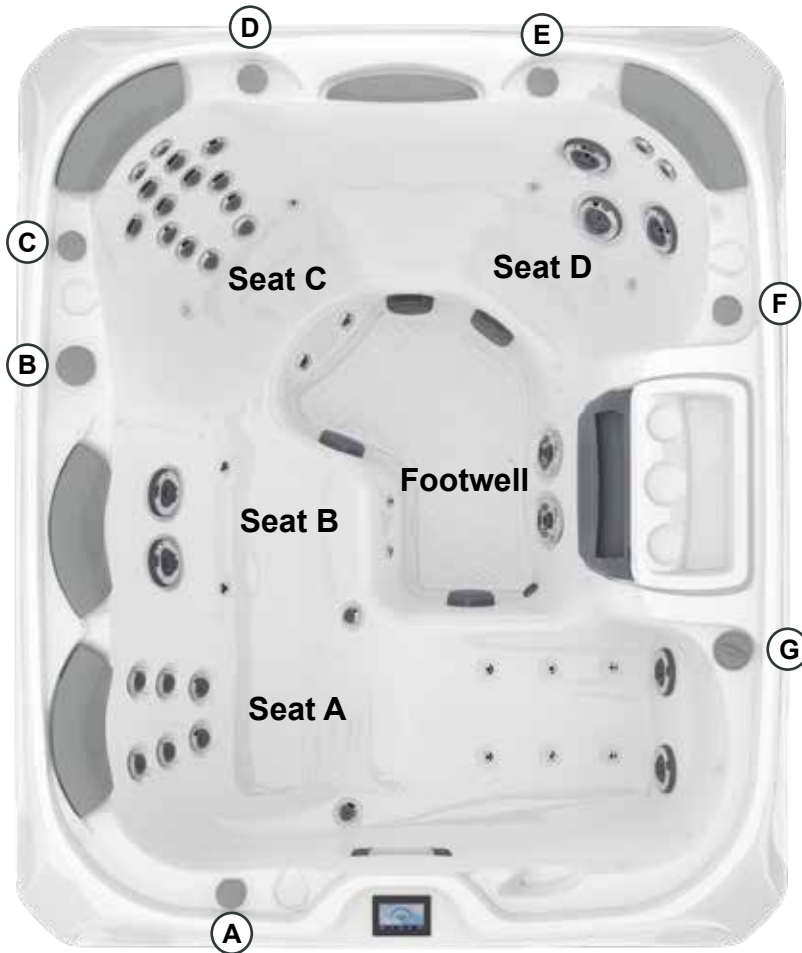
<b>Dimensions:</b> .....	76" x 91" x 34" (193.04 cm x 231 cm x 86.36 cm)	
<b>Seating Capacity:</b> .....	4-5 Adults	
<b>Dry Weight:</b> .....	838 lbs (380 kg)	
<b>Filled Weight (Spa Volume):</b> .....	4,299 lbs (1,950 kg)	
<b>Filled Weight (Average Fill):</b> .....	3,298 lbs (1,496 kg)	
<b>Water Capacity (Spa Volume):</b> .....	415 US Gal (1,571 Liters)	
<b>Water Capacity (Average Fill):</b> .....	295 US Gal (1,117 Liters)	
<b>Controls:</b> .....	880 iTouch Interface LCD Control, Displays Temperature, Time, Cycles and Jet/Air System Control. Offers Customizing of Filtration Cycles, Lighting, Water Temperature Setting and other features	
<b>Water Delivery:</b> .....	2 TheraMax High-Flow Pumps and 8-Hour Dynamic Flow Circulation System	
<b>Pump 1:</b> .....	North America (60 Hz): 1-Speed/2.5 HP Continuous, 11.3A Max., 56 Frame <b>Export (50 Hz): 1-Speed/2.0 HP Continuous, 7.0A Max.</b>	
<b>Pump 2:</b> .....	North America (60 Hz): 1-Speed/2.5 HP Continuous, 11.3A Max., 56 Frame <b>Export (50 Hz): 1-Speed/2.0 HP Continuous, 7.0A Max.</b>	
<b>Pump 3:</b> .....	High Output Dynamic Flow, 24-Hour programmable, factory default set to 8-Hour Filter/Circulation Pump (35 gpm) Programmable for Daily Start Time and Duration	
<b>Total Hydrojets:</b> .....	<b>45</b>	
<b>Seat A Jets:</b> .....	6 Fluidix Reflex, 2 Vortex, 2 Fluidix Nex, 6 Focus-Relief®	
<b>Seat B Jets:</b> .....	2 Vortex, 4 Focus-Relief	
<b>Seat C Jets:</b> .....	2 Fluidix Nex, 12 Fluidix ST, 2 Accu-Pressure	
<b>Seat D Jets:</b> .....	2 Fluidix Nex, 2 Fluidix Intelli-Jet, 1 Fluidix Nex	
<b>Footwell Jets (E):</b> .....	2 Vortex	
<b>Air Blower:</b> .....	High-Efficiency, 1-Speed	
<b>Aromatherapy Delivery:</b> .....	4 Air Injector Jets with Quiet High Speed Air Pump	
<b>Air Controls/Massage Selectors:</b> .....	4/1 (Standard air control with LED lights and massage selector with LED lights)	
<b>Filter:</b> .....	MicroClean® Ultra II Filtration System, 130 ft² (2 interlocking cartridge filters)	
<b>Water Treatment:</b> .....	Dynamic Flow Circulation System; Factory installed CLEARARRAY Active Oxygen™ Water System	
<b>Lighting:</b> .....	Multi-Colored LED Lighting System (1 Waterfall, 1 Underwater, 4 Air controls, 1 Massage Selector, Exterior lights)	
<b>Skirt Cabinet (SunSide™):</b> .....	Windy Oak, Ironwood and Flint Gray	
<b>Shell Colors:</b> .....	North America: Platinum, Celestite (Gypsum), Monaco, Midnight, Porcelain <b>Export (50 Hz): All North America Colors</b>	
<b>Handrails:</b> .....	1 Integral	
<b>Headrests:</b> .....	Four, 1-Piece Gray	
<b>Heater:</b> .....	North America (60 Hz): Hi Flow 5.5 kW with Titanium Element <b>Export (50 Hz): Hi Flow 2.7 kW with Titanium Element</b>	
<b>Electrical Requirements:</b> .....	North America (60 Hz): 240 VAC@40A, 50A or 60A; <b>Export (50 Hz): 230-240 VAC@1x32A or 1x16A/1x20A, 3x16A (see manual for more configurations); or Suitably Rated Circuit Breaker to Comply with Local Electrical Regulations. Certain Countries May Require 2 Power Inputs; Two GFCI/RCD Breakers are Required for This Configuration.</b>	
<b>Limited Warranty*:</b> .....	North America (60 Hz): 10 Years Shell, 7 Years Shell Surface, 5 Years Plumbing Component Leaks, 5 Years Equipment and Controls, 5 Years Cabinet, 5 Years Jets, 2 Years Lights, 1 Year Stereo <b>Export (50 Hz): 10 Years Shell, 7 Years Shell Surface, 5 Years Plumbing Component Leaks, 5 Years Equipment and Controls, 5 Years Cabinet, 5 Years Jets, 2 Years Lights, 2 Years Stereo</b>	
<b>Waterfall Feature:</b> .....	Adjustable Flow Rate; Colored Lighting	
<b>Audio System (Optional):</b> .....	Factory Installed BLUEWAVE® 2.0 Wireless Spa Stereo System with Auxiliary 3.5 mm headphone jack connection, Bluetooth® compatible, 2 premium speakers and a powered subwoofer	
<b>Special Features:</b> .....	MicroClean® Plus Versatile Filter Lid, <b>Optional</b> (Factory Installed) SmartTub® Module, <b>Optional</b> Inductive Charger	

\*(See Warranty Document for Specific Details)

Dimensions/Specifications Subject To Change Without Notice

# Sundance Spas 880 Marin

## Operation/Seat Depths



- (A)** Air Control - Activates Seat A Jets (6 Fluidix Reflex, 2 Fluidix Nex, 2 Vortex)
- (B)** Massage Selector [Pump 1] - Adjusts Massage Level Between Seat A Jets and Seat C Jets
- (C)** Air Control - Activates Upper Eight Seat C Jets (2 Fluidix Nex, 6 Fluidix ST)
- (D)** Air Control - Activates Lower Eight Seat C Jets (6 Fluidix-ST, 2- Accu-Pressure)
- (E)** Waterfall Selector [8-Hour Circ. Pump] - Controls Waterfall Output
- (F)** Air Control - Activates Seat B Jets (2 Vortex) + Seat D Jets (2 Fluidix Nex, 2 Fluidix Intelli-Jet, 1 Fluidix PT) + Footwell Jets (2 Vortex)
- (G)** Sunscents Dispenser

- Jets Pump 2: Seat B Jets + Seat D Jets + Footwell Jets are always on when this pump is running
- Focus-Relief Jets: Work with both the blower and Jets Pump 1 and Pump 2. The blower introduces air to the jet and the Jets Pump forces water through.

### 45 Total Jets



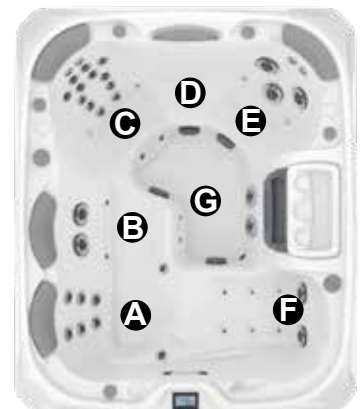
Spa Operation Subject To Change Without Notice

## SEAT DEPTHS

**A = 25.75" (65.41 cm)**  
**B = 24.50" (62.87 cm)**  
**C = 28.00" (71.12 cm)**  
**D = 22.00" (55.88 cm)**

**E = 25.00" (63.50 cm)**  
**F = 19.00" (66.04 cm)**  
**G = 30.00" (76.20 cm)**

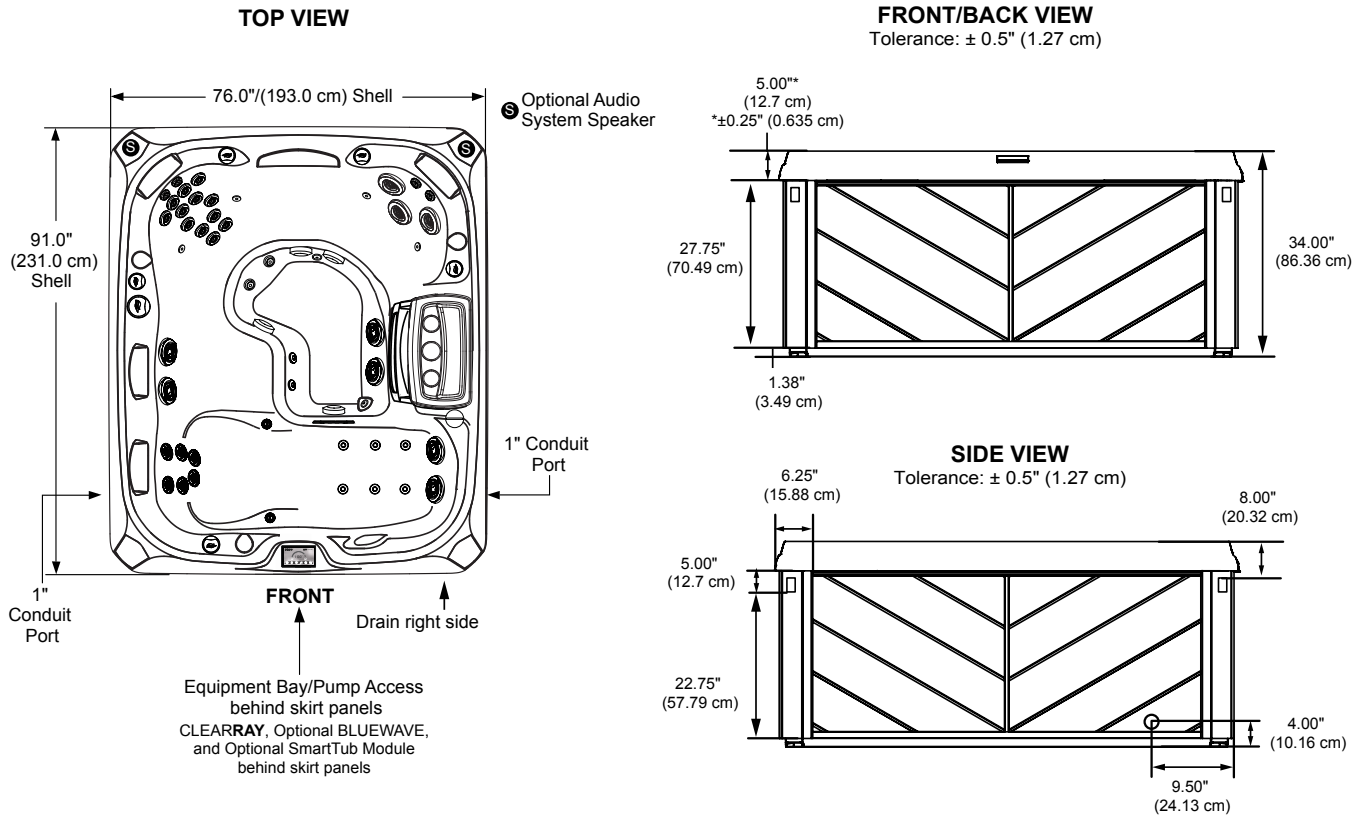
Listed dimensions represent distance from top of acrylic to lowest point in seat. **Tolerance ± 0.5" (1.27 cm).**



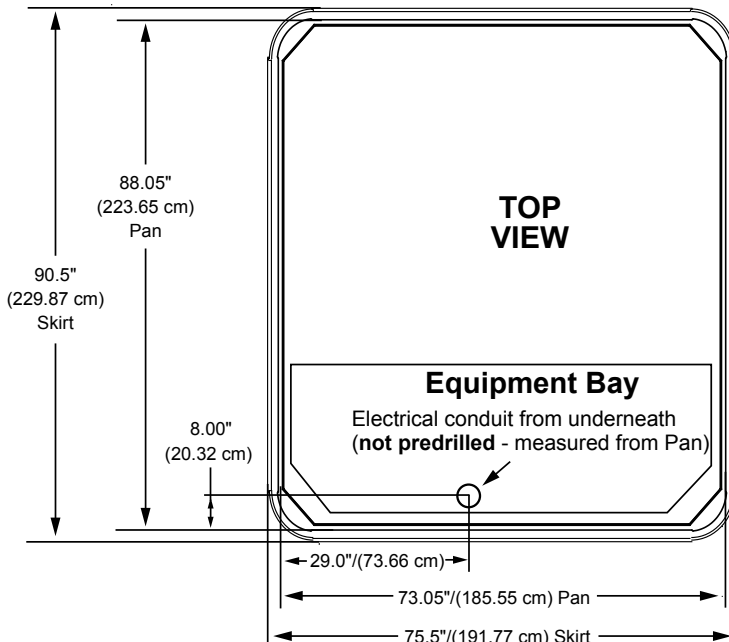
Dimensions/Specifications Subject To Change Without Notice

# Sundance Spas 880 Marin

## Portable Dimensions



**IMPORTANT!** Always measure each hot tub for exact dimensions **BEFORE** designing its foundational support and/or decking.



Dimensions/specifications subject to change without notice. Tolerance:  $\pm 0.5"$  (1.27 cm)

Dimensions/Specifications Subject To Change Without Notice